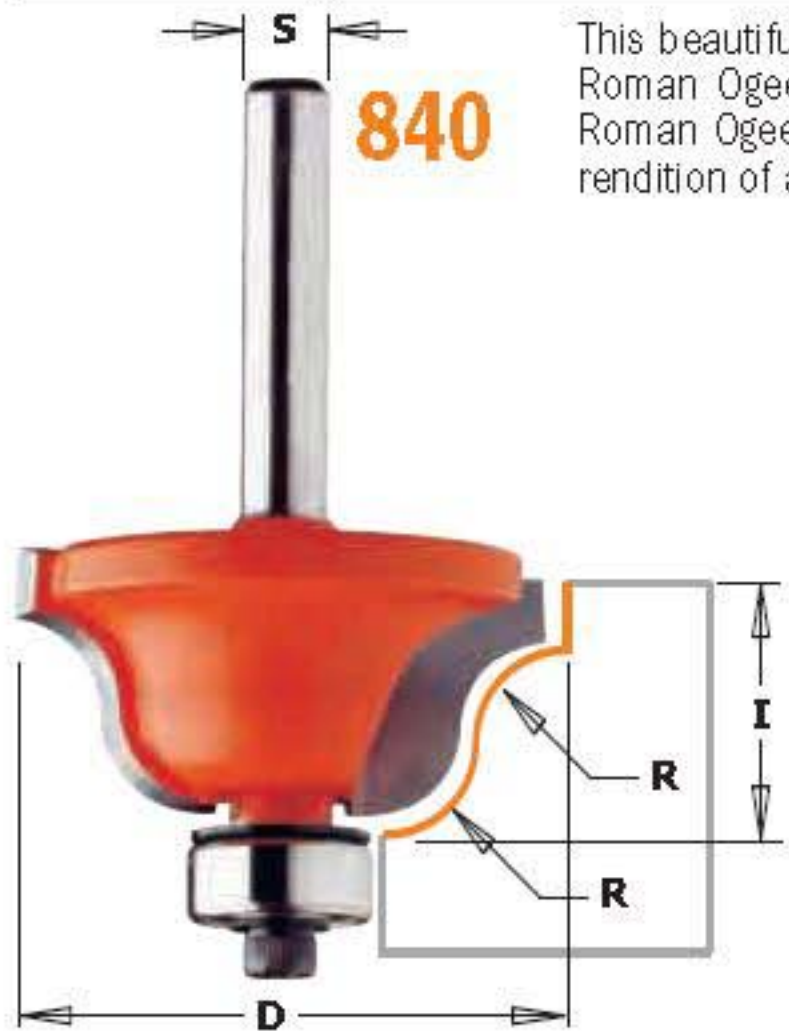
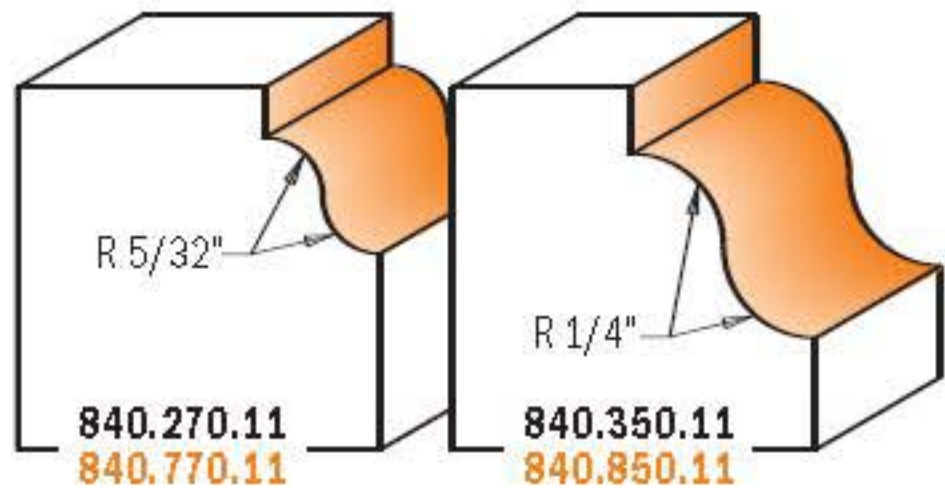


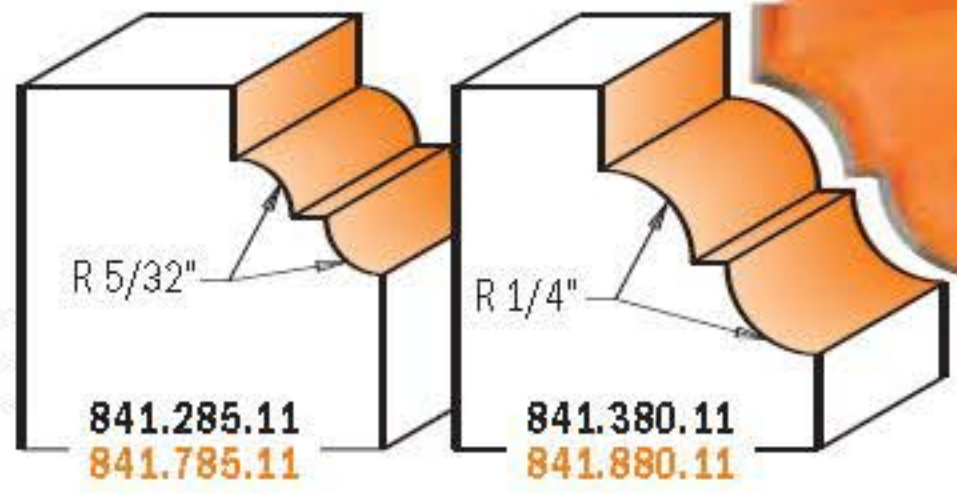
# Roman Ogee Bits



This beautiful, graceful shape is always a popular edge treatment, so a fine Roman Ogee Bit should be a staple of any woodworker's shop. The CMT Roman Ogee Bit includes all of the great CMT features, producing a perfect rendition of a classic design.



**841**



This bit takes the Roman ogee a step further, with a horizontal bead in the middle of the profile to add more interest to the shape. This bit is appropriate for many classical projects that need more detail in the edge.

ORDER NO. 1/4" shank	ORDER NO. 1/2" shank	R		D	I	Spare parts			
		inches	mm	inches	inches	Shield	Bearing	Screw	Hex key
840.270.11	840.770.11	5/32	4	1-1/8	29/64	990.423.00	791.003.00	990.058.00	991.057.00
840.350.11	840.850.11	1/4	6.35	1-1/2	11/16	990.423.00	791.003.00	990.058.00	991.057.00
841.285.11	841.785.11	5/32	4	1-5/16	1/2	990.423.00	791.003.00	990.058.00	991.057.00
841.380.11	841.880.11	1/4	6.35	1-11/16	3/4	990.423.00	791.003.00	990.058.00	991.057.00