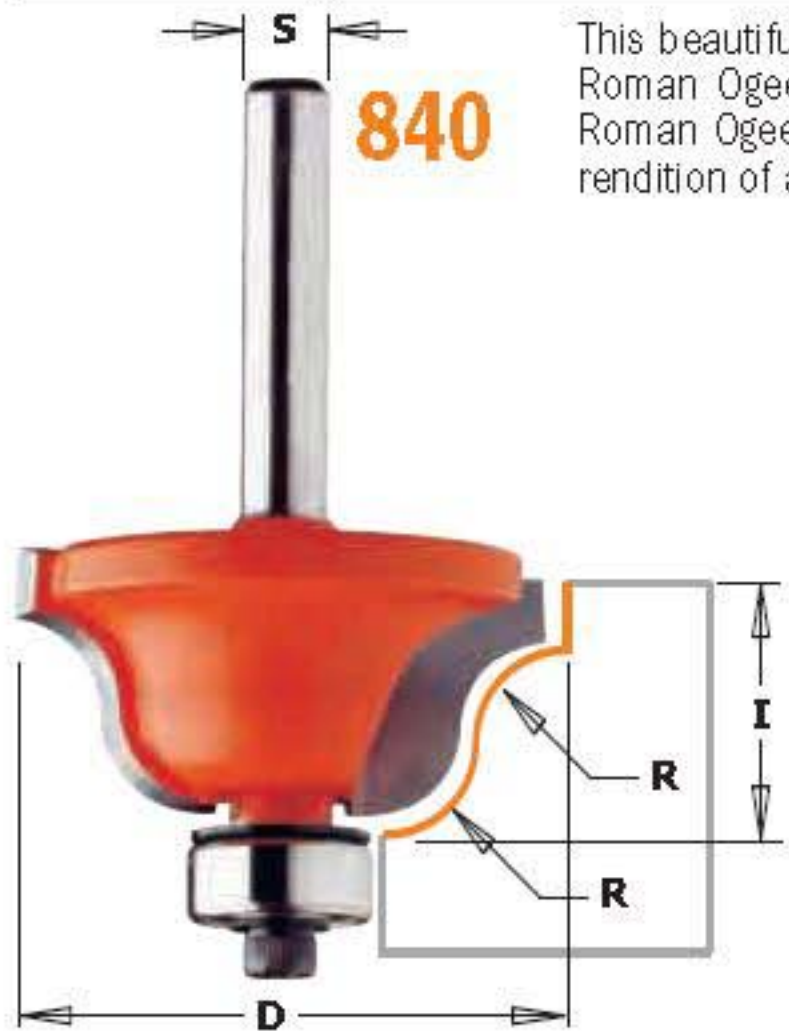
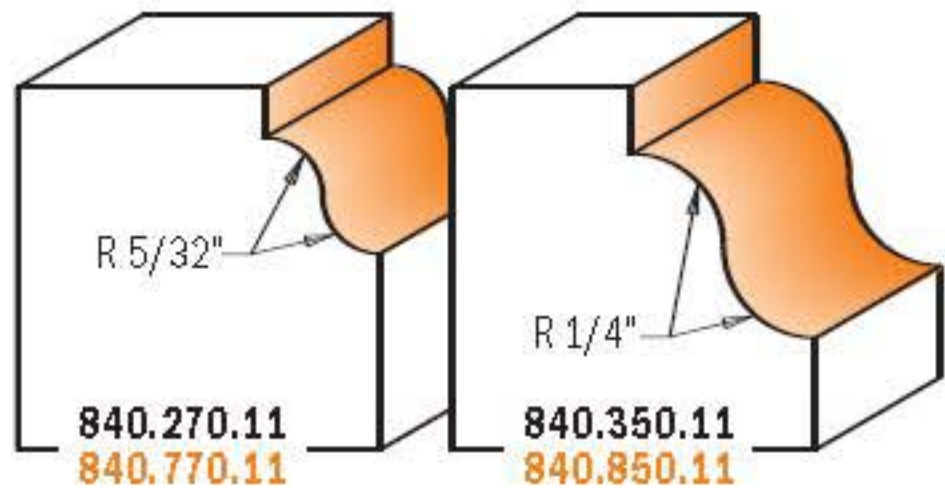


# Roman Ogee Bits

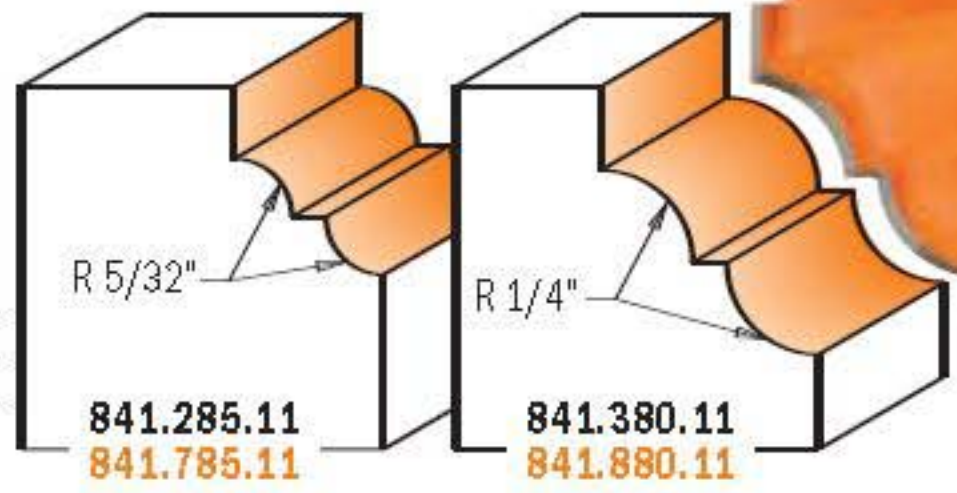


This beautiful, graceful shape is always a popular edge treatment, so a fine Roman Ogee Bit should be a staple of any woodworker's shop. The CMT Roman Ogee Bit includes all of the great CMT features, producing a perfect rendition of a classic design.



**841**

Drawings are 1:1 scale



This bit takes the Roman ogee a step further, with a horizontal bead in the middle of the profile to add more interest to the shape. This bit is appropriate for many classical projects that need more detail in the edge.

### Spare parts

ORDER NO. 1/4" shank	ORDER NO. 1/2" shank	R		D	I	Shield	Bearing	Screw	Hex key
		inches	mm	inches	inches				
840.270.11	840.770.11	5/32	4	1-1/8	29/64	990.423.00	791.003.00	990.058.00	991.057.00
840.350.11	840.850.11	1/4	6.35	1-1/2	11/16	990.423.00	791.003.00	990.058.00	991.057.00
841.285.11	841.785.11	5/32	4	1-5/16	1/2	990.423.00	791.003.00	990.058.00	991.057.00
841.380.11	841.880.11	1/4	6.35	1-11/16	3/4	990.423.00	791.003.00	990.058.00	991.057.00