

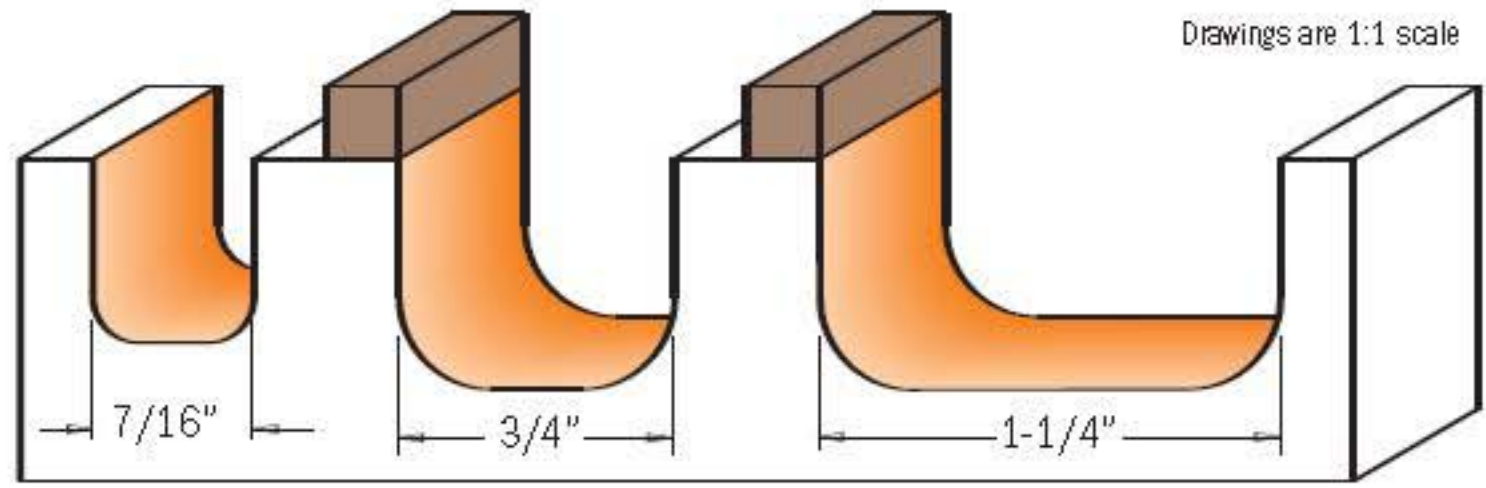
# Bowl and Tray Bits



## 851 - 851B

CARBIDE TIPPED
Z2
RH

We call these tools "Bowl and Tray Bits," but you can get lots of work from these bits even if you never rout a bowl or tray. Everybody needs a cutting board, for example, and these bits rout a groove that's perfect for catching meat juice and drippings. Or use them to rout beautiful raised sign lettering, unique boxes, or lots of other specialty or craft items. The round corner of the bit shapes the inner radius while the sides and bottom create the smooth flat surfaces. For best results on jobs where accuracy is a priority we recommend using our top bearing bowl and tray bits.



ORDER NO. 1/4" shank	ORDER NO. 1/2" shank	D		I inches	R inches	L inches	Spare parts			
		inches	mm				Bearing	Stop collar	Screw STEI	Hex key
851.001.11		7/16	11.1	1/2	1/8	1-51/64				
851.002.11		3/4	19	5/8	1/4	2-9/64				
	851.501.11	3/4	19	5/8	1/4	2-25/64				
	851.502.11	1-1/4	31.7	5/8	1/4	2-25/64				
<b>with top bearing guide</b>										
851.002.11B		3/4	19	5/8	1/4	2-9/64	791.004.00	541.001.00	990.005.00	991.056.00
	851.501.11B	3/4	19	5/8	1/4	2-25/64	791.011.00	541.002.00	990.005.00	991.056.00
	851.502.11B	1-1/4	31.7	5/8	1/4	2-25/64	791.015.00	541.002.00	990.005.00	