

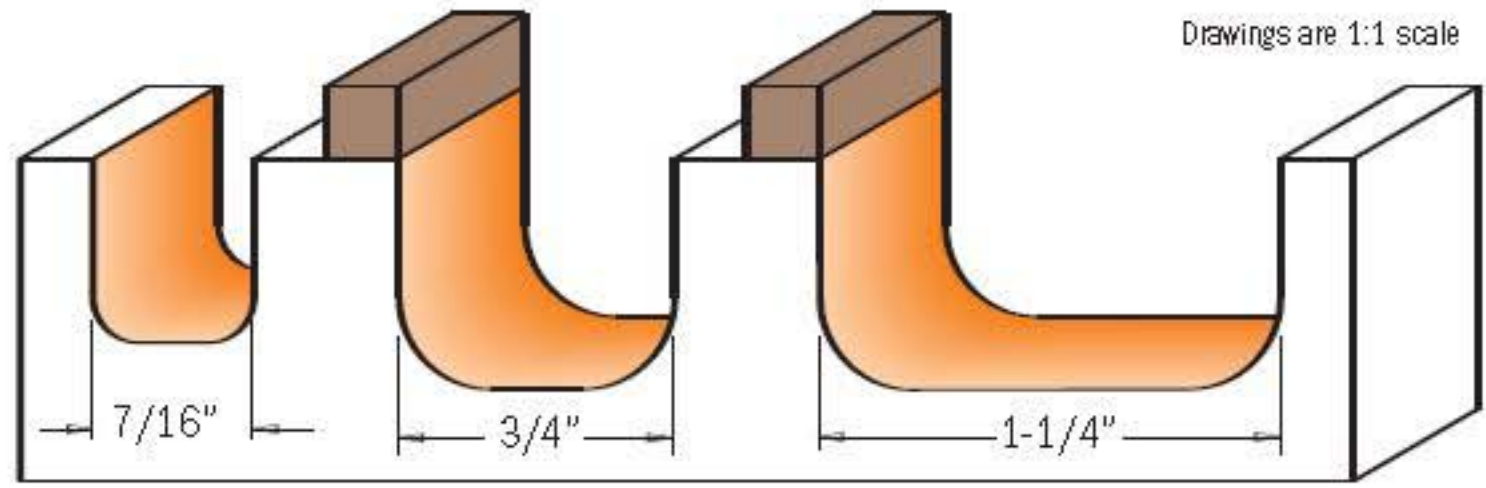
Bowl and Tray Bits



851 - 851B

CARBIDE TIPPED
Z2
RH

We call these tools "Bowl and Tray Bits," but you can get lots of work from these bits even if you never rout a bowl or tray. Everybody needs a cutting board, for example, and these bits rout a groove that's perfect for catching meat juice and drippings. Or use them to rout beautiful raised sign lettering, unique boxes, or lots of other specialty or craft items. The round corner of the bit shapes the inner radius while the sides and bottom create the smooth flat surfaces. For best results on jobs where accuracy is a priority we recommend using our top bearing bowl and tray bits.



| ORDER NO. 1/4" shank | ORDER NO. 1/2" shank | D | | I inches | R inches | L inches | Spare parts | | | |
|-------------------------------|-------------------------|--------|------|-------------|-------------|-------------|-------------|-------------|------------|------------|
| | | inches | mm | | | | Bearing | Stop collar | Screw STEI | Hex key |
| 851.001.11 | | 7/16 | 11.1 | 1/2 | 1/8 | 1-51/64 | | | | |
| 851.002.11 | | 3/4 | 19 | 5/8 | 1/4 | 2-9/64 | | | | |
| | 851.501.11 | 3/4 | 19 | 5/8 | 1/4 | 2-25/64 | | | | |
| | 851.502.11 | 1-1/4 | 31.7 | 5/8 | 1/4 | 2-25/64 | | | | |
| with top bearing guide | | | | | | | | | | |
| 851.002.11B | | 3/4 | 19 | 5/8 | 1/4 | 2-9/64 | 791.004.00 | 541.001.00 | 990.005.00 | 991.056.00 |
| | 851.501.11B | 3/4 | 19 | 5/8 | 1/4 | 2-25/64 | 791.011.00 | 541.002.00 | 990.005.00 | 991.056.00 |
| | 851.502.11B | 1-1/4 | 31.7 | 5/8 | 1/4 | 2-25/64 | 791.015.00 | 541.002.00 | 990.005.00 | |