

Laser Point Bits (60°) Z=3

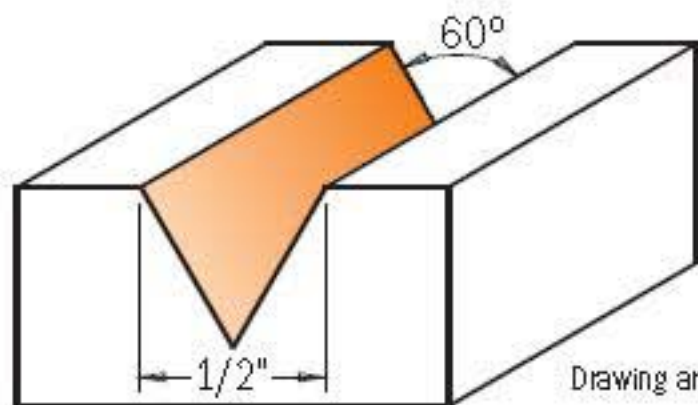
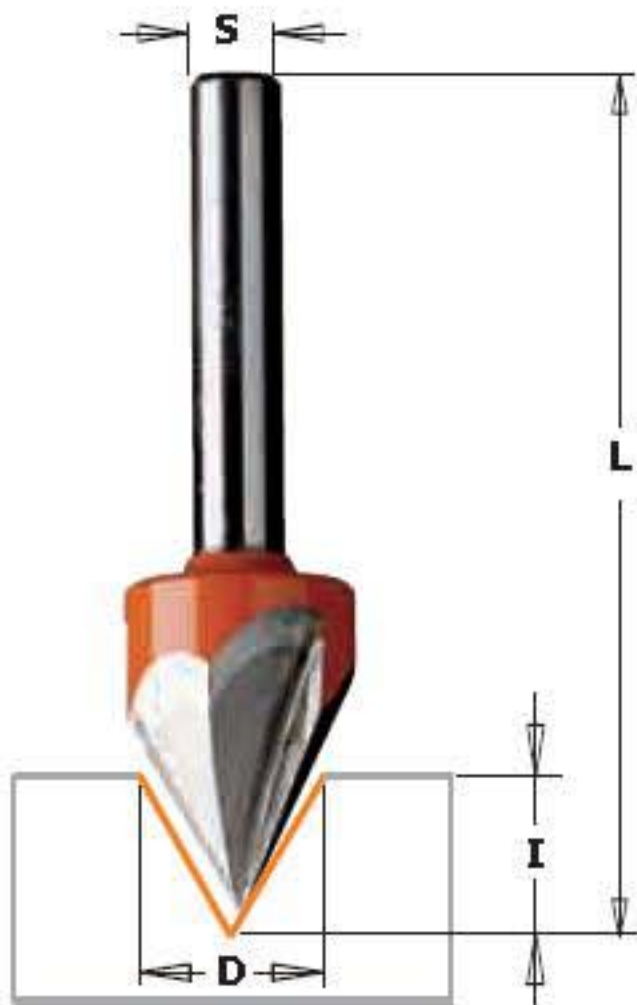
CARBIDE
TIPPED

Z3

RH

858

This new bit lets you make delicate grooves and incisions with laser precision. Make one of a kind effects with single run 30° bevel edges. Three super sharp cutting edges and this perfectly balanced bit allow you to work with superior accuracy with no risk of burning. Raise the bit and produce a delicate fine point incision, or work the whole 12,7mm diameter to render bold highlighted lettering. Super strong steel shank and micrograin carbide cutting edges guarantee long lasting performance.



Drawing are 1:1 scale



ORDER NO. 1/4" shank	ORDER NO. 1/2" shank	D inches	D mm	I inches	A	L inches
858.001.11		1/2	12.7	7/16	60°	2-17/64
	858.501.11	1/2	12.7	7/16	60°	2-3/8