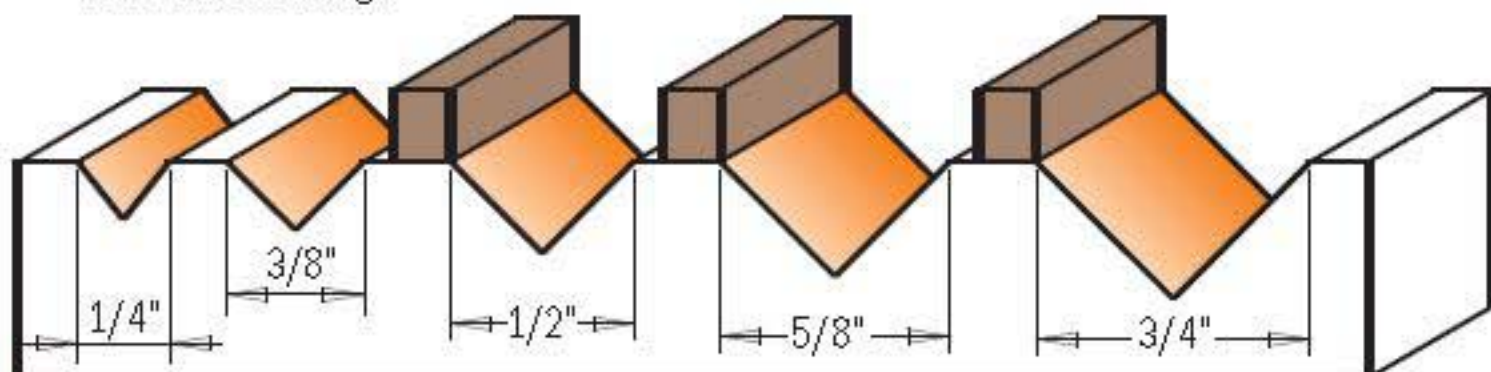
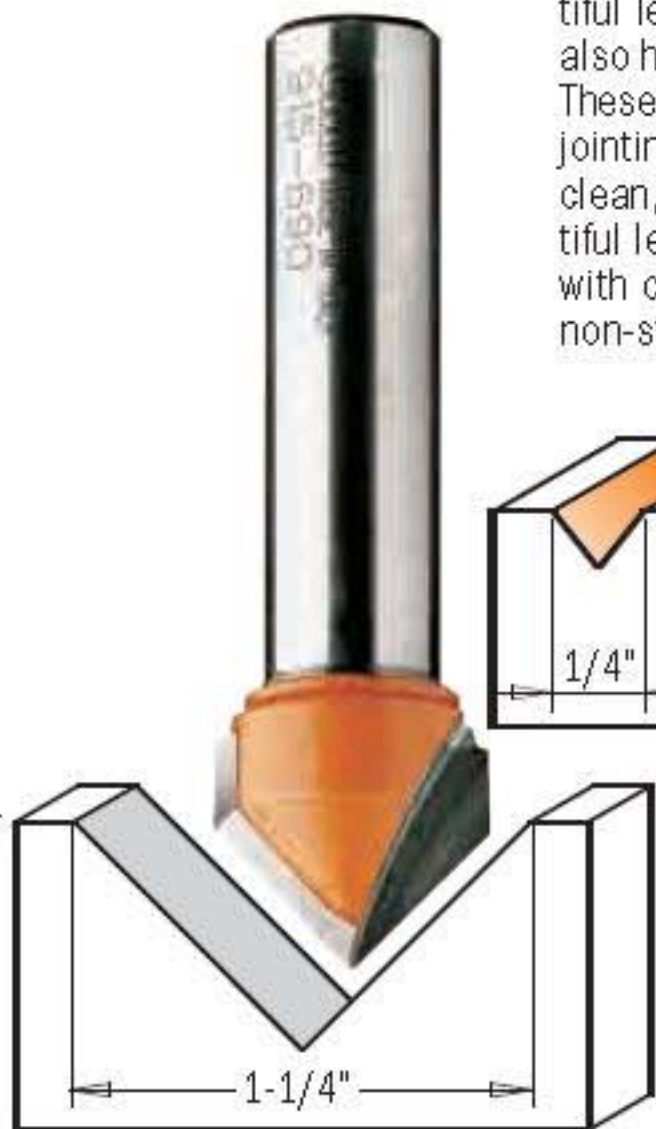


# V-Grooving Bits (90°)

CARBIDE TIPPED SOLID CARBIDE Z2 RH

## 815 - 815B

Rout clean, sharp veins in panels or drawer fronts, chamfer edges or engrave beautiful lettering. For almost any bevel job, CMT V-Grooving Bits are a great choice. We also have versatile top bearing bits that let you follow whatever template you choose. These double cutting edge CMT bits have been especially designed for routing and jointing 90° plasterboard panels but offer you many woodworking possibilities: clean, perfect incisions in panels or drawer fronts, chamfer edges or engraving beautiful lettering. Like all CMT bits, they are made of super strength Fatigue Proof steel with carbide-tipped cutting edges and are coated with our trademark orange PTFE non-stick coating.



Drawings are 1:1 scale

PLASTERBOARD PANEL

• Solid Carbide

ORDER NO. 1/4" shank	ORDER NO. 1/2" shank	D	I	A	L
		inches mm	inches	°	inches
•815.064.11		1/4 6.35	5/16	90°	1-1/2
815.095.11		3/8 9.5	1/2	90°	1-49/64
815.127.11		1/2 12.7	1/2	90°	1-49/64
	815.660.11	5/8 15.87	1/2	90°	2-1/2
	815.690.11	3/4 19	5/8	90°	2-1/2
	815.817.11	1-1/4 31.7	5/8	90°	2-1/2
	815.880.11	1-1/2 38	3/4	90°	2-3/4

Spare parts

Bearing	Stop collar	Hex key
---------	-------------	---------

with top bearing guide

815.127.11B		1/2 12.7	1/2	90°	1-49/64	791.010.00	541.001.00	991.056.00
	815.690.11B	3/4 19	5/8	90°	2-1/2	791.011.00	541.002.00	991.056.00

new