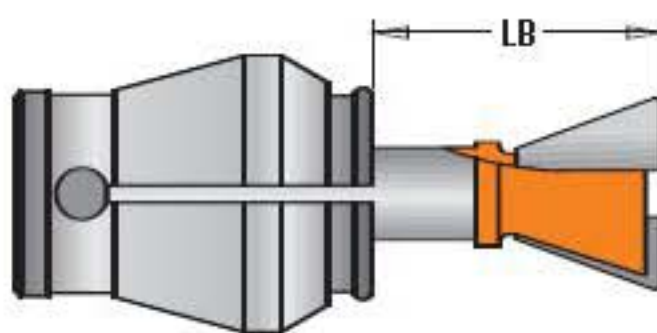


Dovetail Bits

818 - 818B

Manufacturer/Model	ORDER NO.
Hoffman W1 LB=16mm	818.053.11
Hoffman W2 LB=17,5mm	818.079.11
Hoffman W3 LB=19mm	818.093.11



Manufacturer/Model	ORDER NO.
CMT-Enlock10	818.098.11B
CMT-Enlock15	818.128.11B

A few seconds and your CMT-Enlock joints are ready!



Spare parts

ORDER NO. 1/4" shank	ORDER NO. 1/2" shank	D		I inches	A	L inches	Application	Spare parts		
		inches	mm					Bearing	Stop collar	Hex key
• 818.065.11		1/4	6.35	1/4	8°	2	For Leigh jig			
• 818.064.11	• 818.564.11	1/4	6.35	5/16	7.5°	2-1/2	For Intra jig			
• 818.081.11		5/16	8	3/8	8°	2-1/8	For Leigh jig			
• 818.080.11		5/16	8	3/8	9°	2-1/16	For Intra jig			
	• 818.580.11	5/16	8	3/8	9°	2-1/2	For Intra jig			
• 818.096.11		3/8	9.5	3/8	9°	2-1/16	For Intra jig			
	• 818.596.11	3/8	9.5	3/8	9°	2-1/2	For Intra jig			
• 818.098.11		3/8	9.5	3/8	14°	2-3/8				
• 818.097.11		3/8	9.5	1/2	8°	2-3/8	For Leigh jig			
818.111.11		7/16	11.1	5/8	8°	2-3/8	For Leigh jig			
818.132.11		1/2	12.7	13/32	18°	2-3/8	For Leigh jig			
818.128.11		1/2	12.7	1/2	14°	2-1/16	For Intra jig			
	818.628.11	1/2	12.7	1/2	14°	2-1/2	For Intra jig			
818.130.11		1/2	12.7	1/2	14°	2-7/16	For Leigh jig			
818.133.11		1/2	12.7	5/8	10°	2-3/8	For Leigh jig			
818.129.11		1/2	12.7	13/16	8°	2-3/4	For Leigh jig			
	818.635.11	17/32	13.5	3/4	7°	2-27/64	For Porter Cable			
818.142.11		9/16	14.2	3/8	14°	2				
818.158.11		5/8	15.87	7/8	7°	2-3/8	For Intra jig			
	818.653.11	5/8	15.87	7/8	7°	2-5/8	For Intra jig			
	818.674.11	11/16	17.4	1	8°	3-1/16	For Leigh jig			
	818.691.11	3/4	19	3/4	14°	3-1/16				
818.190.11		3/4	19	7/8	7°	2-3/8	For Intra jig			
	818.690.11	3/4	19	7/8	7°	2-5/8	For Intra jig			
818.191.11		3/4	19	7/8	14°	2-3/8				
	818.706.11	13/16	20.6	1-1/4	8°	3-5/16	For Leigh jig			
with top bearing guide										
818.087.11B		11/32	8.73	13/32	7°	1-1/4		791.009.00	541.001.00	991.056.00
818.098.11B		3/8	9.5	3/8	14°	2-3/8	For CMT-Enlock 1	791.010.00	541.001.00	991.056.00
818.113.11B		7/16	11.1	3/4	7°	2-5/8		791.009.00	541.001.00	991.056.00
818.128.11B		1/2	12.7	1/2	14°	2-1/16	For CMT-Enlock 1	791.010.00	541.001.00	991.056.00
818.142.11B		9/16	14.2	3/8	14°	2		791.010.00	541.001.00	991.056.00
818.159.11B		5/8	15.87	1	7°	2-11/16		791.021.00	541.006.00	991.056.00
For Hoffman										
818.053.11		7/32	5.5	5/32	17°	45/64	For Hoffman W1			
818.079.11		5/16	8	15/64	19°	45/64	For Hoffman W2			
818.093.11		3/8	9.5	5/32	19°	45/64	For Hoffman W3			

Spare parts 990.005.00 Screw TSEI M3x3mm

• Solid Carbide