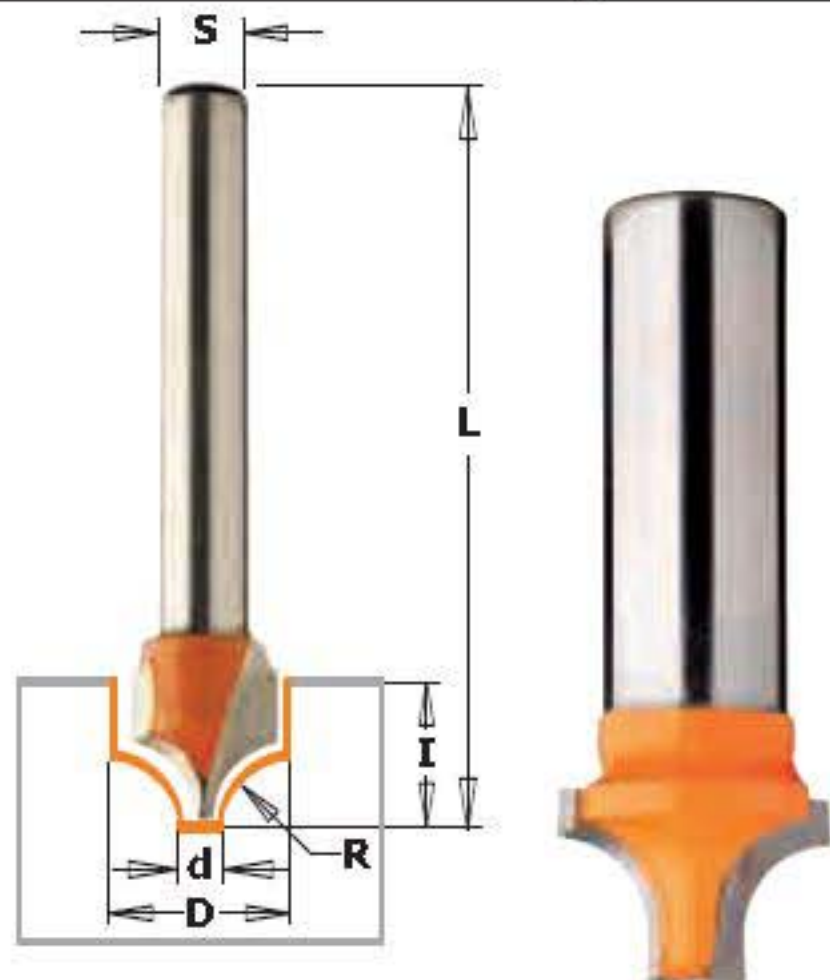


Decorative Beading Bits

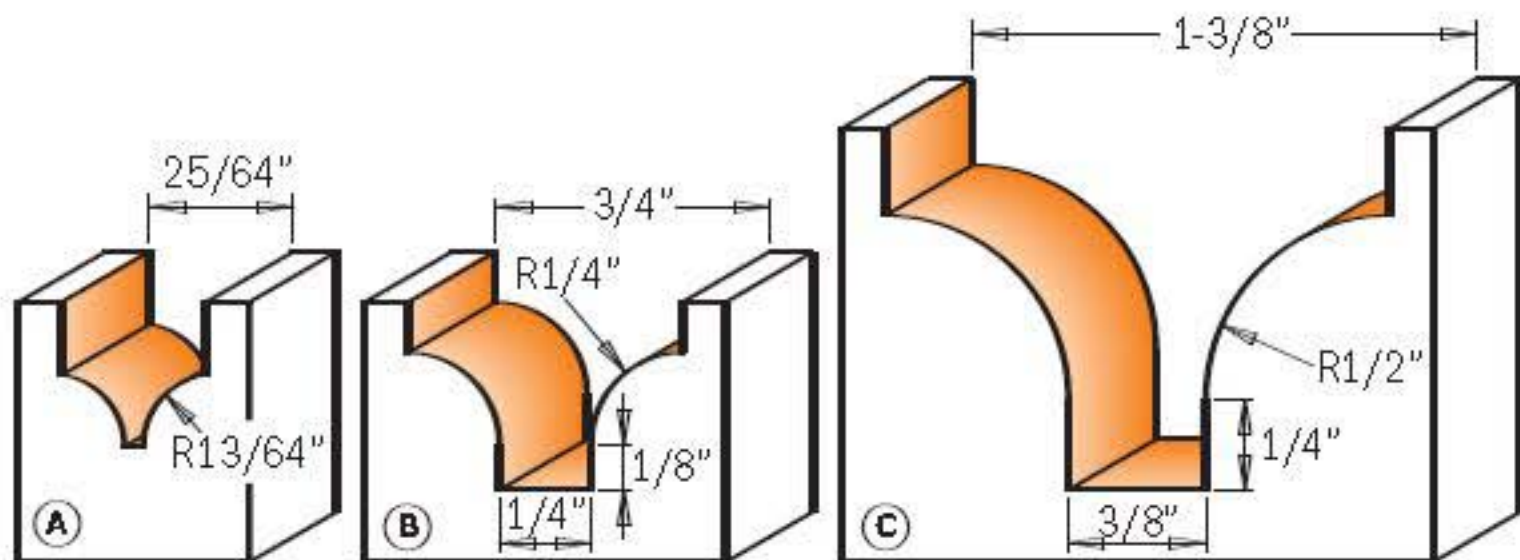


865





Enhance your doors and drawer fronts and leave your visitors amazed! This ogge bit cutting edges are carbide-tipped for effective, smooth and eye-catching work.

Make subtle decorative edges with this bit! Perfect for enhancing doors and drawer fronts, it will deliver smooth and flawless results. Carbide-tipped to ensure a clean, sharp and precise cut.



Drawings are 1:1 scale

ORDER NO. 1/4" shank	ORDER NO. 1/2" shank	D inches	D mm	d inches	R inches	I inches	L inches	Profile
865.402.11		25/64	10	1/16	13/64	25/64	1-31/32	A
 865.903.11		3/4	19.05	1/4	1/4	33/64	2	B
 865.904.11		1-3/8	34.9	3/8	1/2	63/64	2-37/64	C