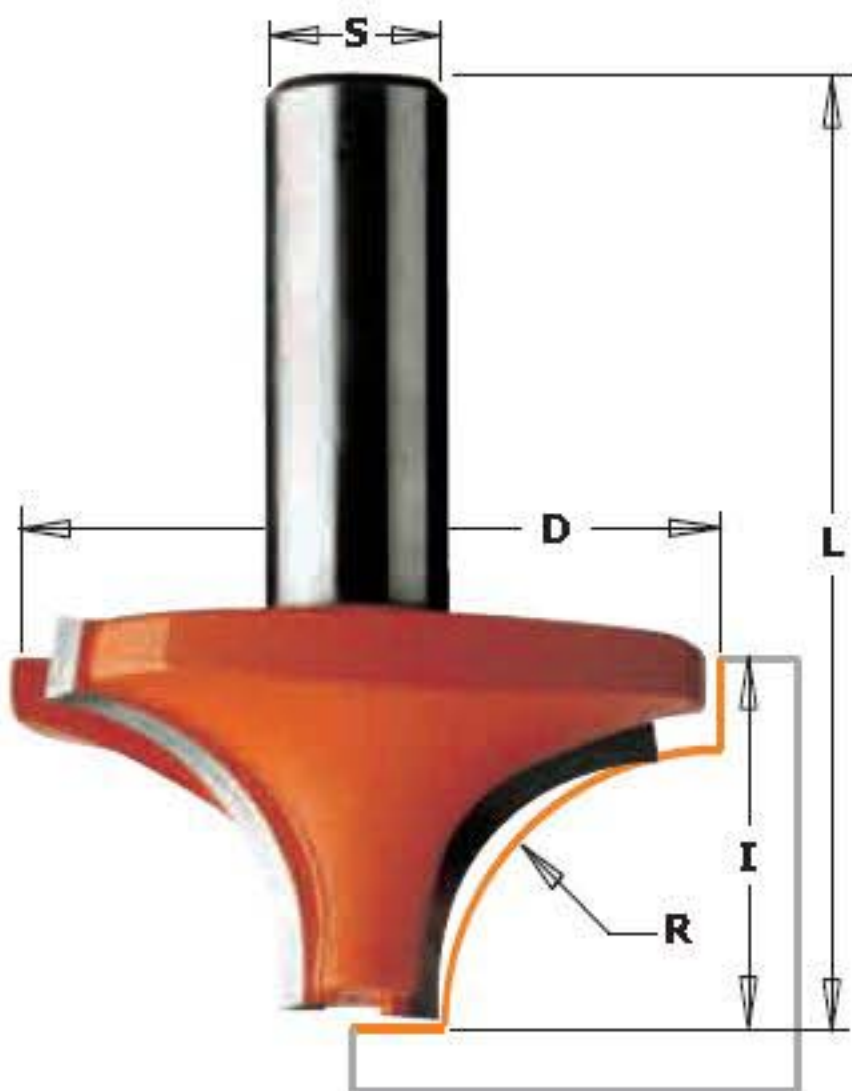
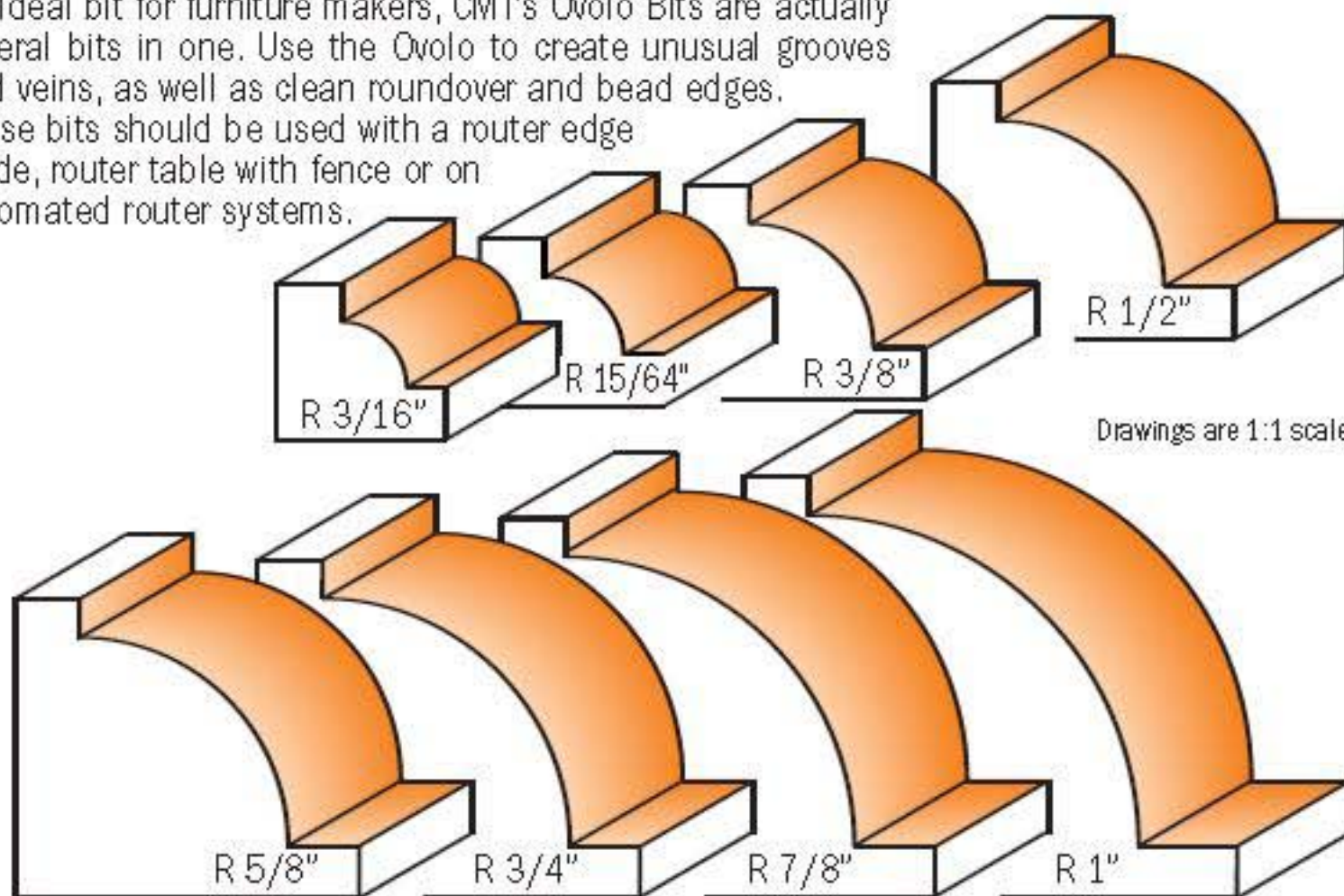


Ovolo Bits



827

An ideal bit for furniture makers, CMT's Ovolo Bits are actually several bits in one. Use the Ovolo to create unusual grooves and veins, as well as clean roundover and bead edges. These bits should be used with a router edge guide, router table with fence or on automated router systems.



Drawings are 1:1 scale

ORDER NO. 1/4" shank	ORDER NO. 1/2" shank	R		D	I	L
		inches	mm	inches	inches	inches
827.050.11		3/16	5	13/16	15/32	1-47/64
827.060.11		15/64	6	29/32	15/32	1-47/64
	827.560.11	15/64	6	29/32	15/32	1-63/64
827.095.11		3/8	9.52	1-1/4	9/16	1-13/16
	827.595.11	3/8	9.52	1-1/4	9/16	2-3/64
827.127.11		1/2	12.7	1-1/2	3/4	2
	827.627.11	1/2	12.7	1-1/2	3/4	2-1/4
	827.660.11	5/8	15.9	1-3/4	7/8	2-3/8
	827.690.11	3/4	19	2	1	2-1/2
	827.722.11	7/8	22.2	2-1/4	1-1/8	2-5/8
	827.754.11	1	25.4	2-1/2	1-5/16	2-13/16