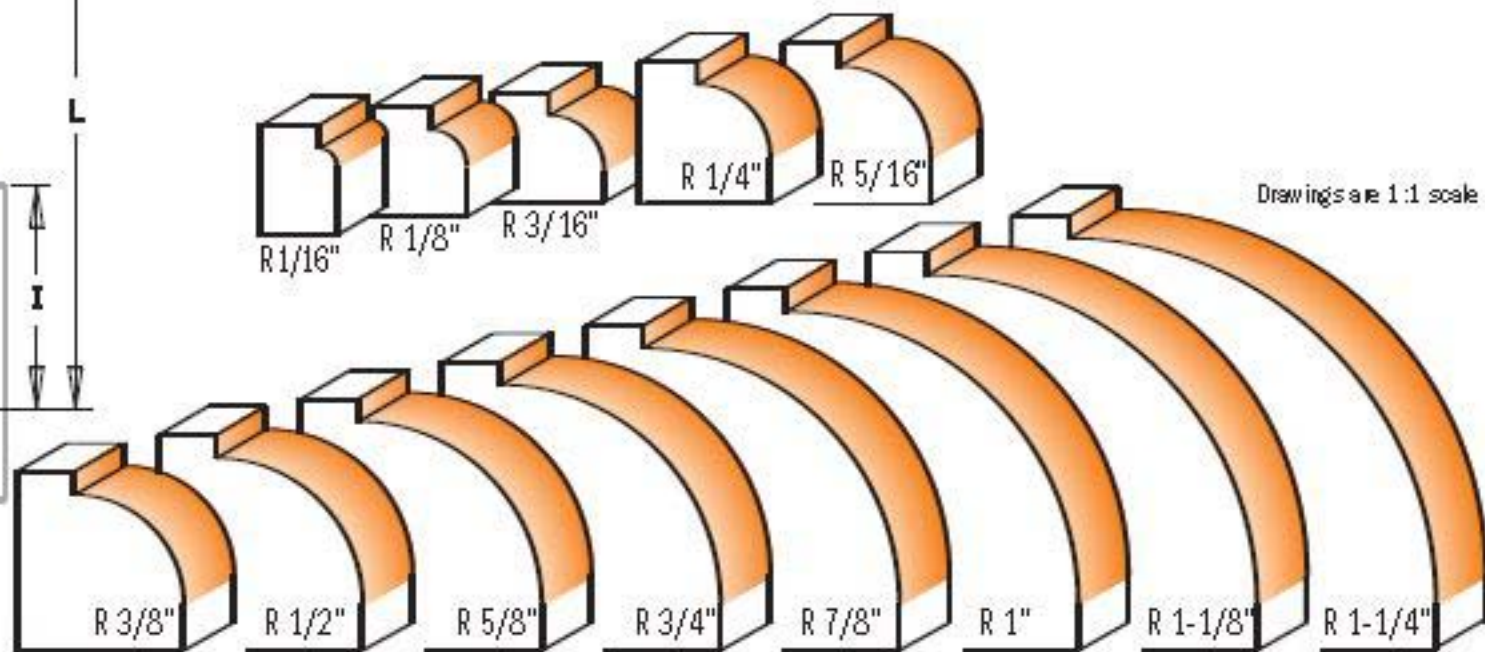
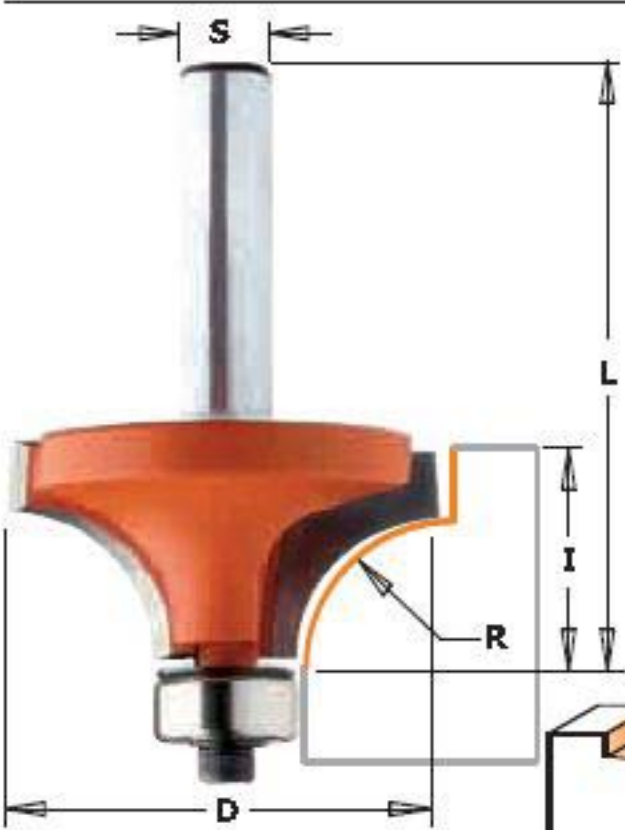


# Roundover Bits



## 838

It's hard to find a profile bit that gets more work than a Roundover Bit. This shape is great for simple tasks like easing sharp corners, or for more intricate jobs like drop leaf tables (when used in conjunction with our Cove Bits of the same radius).



Drawings are 1:1 scale

| ORDER NO.<br>1/4" shank | ORDER NO.<br>1/2" shank | R      |      | D<br>inches | I<br>inches | L<br>inches | Spare parts |            |            |            |
|-------------------------|-------------------------|--------|------|-------------|-------------|-------------|-------------|------------|------------|------------|
|                         |                         | inches | mm   |             |             |             | Shield      | Bearing    | Screw TCEI | Hex key    |
| 838.160.11              |                         | 1/16   | 1.6  | 5/8         | 1/2         | 2-5/32      | 990.423.00  | 791.003.00 | 990.058.00 | 991.057.00 |
| 838.190.11              |                         | 1/8    | 3.2  | 3/4         | 1/2         | 2-5/32      | 990.423.00  | 791.003.00 | 990.058.00 | 991.057.00 |
| 838.222.11              |                         | 3/16   | 4.75 | 7/8         | 1/2         | 2-5/32      | 990.423.00  | 791.003.00 | 990.058.00 | 991.057.00 |
| 838.254.11              |                         | 1/4    | 6.35 | 1           | 1/2         | 2-5/32      | 990.423.00  | 791.003.00 | 990.058.00 | 991.057.00 |
|                         | 838.754.11              | 1/4    | 6.35 | 1           | 1/2         | 2-25/64     | 990.423.00  | 791.003.00 | 990.058.00 | 991.057.00 |
| 838.285.11              |                         | 5/16   | 7.95 | 1-1/8       | 1/2         | 2-5/32      | 990.423.00  | 791.003.00 | 990.058.00 | 991.057.00 |
| 838.317.11              |                         | 3/8    | 9.52 | 1-1/4       | 9/16        | 2-13/64     | 990.423.00  | 791.003.00 | 990.058.00 | 991.057.00 |
|                         | 838.817.11              | 3/8    | 9.52 | 1-1/4       | 9/16        | 2-7/16      | 990.423.00  | 791.003.00 | 990.058.00 | 991.057.00 |
| 838.380.11              |                         | 1/2    | 12.7 | 1-1/2       | 3/4         | 2-25/64     | 990.423.00  | 791.003.00 | 990.058.00 | 991.057.00 |
|                         | 838.830.11              | 1/2    | 12.7 | 1-1/2       | 3/4         | 2-41/64     | 990.423.00  | 791.003.00 | 990.058.00 | 991.057.00 |
| 838.445.11              |                         | 5/8    | 15.9 | 1-3/4       | 7/8         | 2-17/32     | 990.423.00  | 791.003.00 | 990.058.00 | 991.057.00 |
|                         | 838.945.11              | 5/8    | 15.9 | 1-3/4       | 7/8         | 2-27/32     | 990.423.00  | 791.003.00 | 990.058.00 | 991.057.00 |
|                         | 838.990.11              | 3/4    | 19   | 2           | 1           | 2-57/64     | 990.423.00  | 791.003.00 | 990.058.00 | 991.057.00 |
|                         | 838.991.11              | 7/8    | 22.2 | 2-1/4       | 1-1/8       | 3-1/32      | 990.423.00  | 791.003.00 | 990.058.00 | 991.057.00 |
|                         | 838.992.11*             | 1      | 25.4 | 2-1/2       | 1-5/16      | 3-13/64     | 990.423.00  | 791.003.00 | 990.058.00 | 991.057.00 |
|                         | 838.993.11*             | 1-1/8  | 28.6 | 3           | 1-1/2       | 3-33/64     | 541.550.00  | 791.004.00 | 990.058.00 | 991.057.00 |
|                         | 838.994.11*             | 1-1/4  | 31.7 | 3-1/4       | 1-3/4       | 3-49/64     | 541.550.00  | 791.004.00 | 990.058.00 | 991.057.00 |
|                         | 838.996.11*             | 1-1/2  | 38.1 | 3-1/2       | 1-3/4       | 3-21/32     | 990.423.00  | 791.003.00 | 990.058.00 | 991.057.00 |