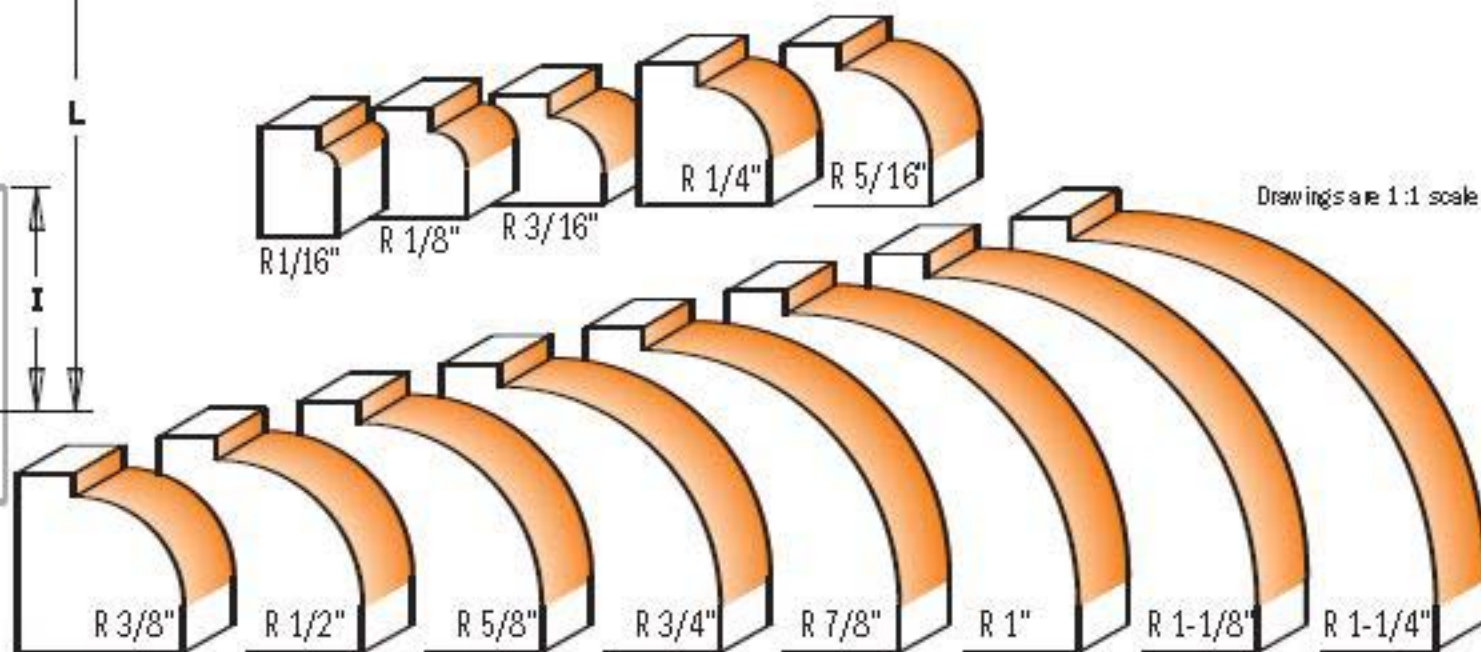
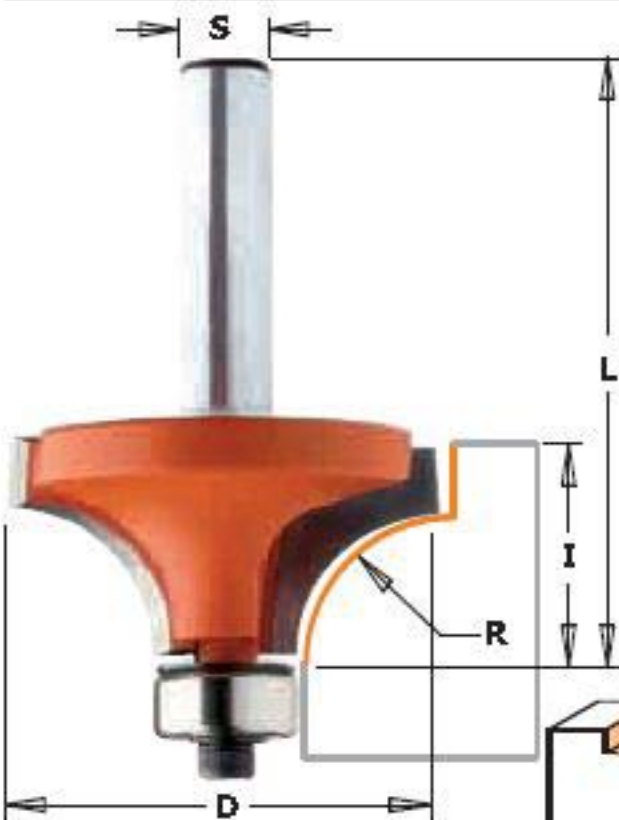


# Roundover Bits



## 838

It's hard to find a profile bit that gets more work than a Roundover Bit. This shape is great for simple tasks like easing sharp corners, or for more intricate jobs like drop leaf tables (when used in conjunction with our Cove Bits of the same radius).



Drawings are 1:1 scale

### Spare parts

ORDER NO. 1/4" shank	ORDER NO. 1/2" shank	R		D	I	L	Shield	Bearing	Screw TCEI	Hex key
		inches	mm	inches	inches	inches				
838.160.11		1/16	1.6	5/8	1/2	2-5/32	990.423.00	791.003.00	990.058.00	991.057.00
838.190.11		1/8	3.2	3/4	1/2	2-5/32	990.423.00	791.003.00	990.058.00	991.057.00
838.222.11		3/16	4.75	7/8	1/2	2-5/32	990.423.00	791.003.00	990.058.00	991.057.00
838.254.11		1/4	6.35	1	1/2	2-5/32	990.423.00	791.003.00	990.058.00	991.057.00
	838.754.11	1/4	6.35	1	1/2	2-25/64	990.423.00	791.003.00	990.058.00	991.057.00
838.285.11		5/16	7.95	1-1/8	1/2	2-5/32	990.423.00	791.003.00	990.058.00	991.057.00
838.317.11		3/8	9.52	1-1/4	9/16	2-13/64	990.423.00	791.003.00	990.058.00	991.057.00
	838.817.11	3/8	9.52	1-1/4	9/16	2-7/16	990.423.00	791.003.00	990.058.00	991.057.00
838.380.11		1/2	12.7	1-1/2	3/4	2-25/64	990.423.00	791.003.00	990.058.00	991.057.00
	838.880.11	1/2	12.7	1-1/2	3/4	2-41/64	990.423.00	791.003.00	990.058.00	991.057.00
838.445.11		5/8	15.9	1-3/4	7/8	2-17/32	990.423.00	791.003.00	990.058.00	991.057.00
	838.945.11	5/8	15.9	1-3/4	7/8	2-27/32	990.423.00	791.003.00	990.058.00	991.057.00
	838.990.11	3/4	19	2	1	2-57/64	990.423.00	791.003.00	990.058.00	991.057.00
	838.991.11	7/8	22.2	2-1/4	1-1/8	3-1/32	990.423.00	791.003.00	990.058.00	991.057.00
	838.992.11*	1	25.4	2-1/2	1-5/16	3-13/64	990.423.00	791.003.00	990.058.00	991.057.00
	838.993.11*	1-1/8	28.6	3	1-1/2	3-33/64	541.550.00	791.004.00	990.058.00	991.057.00
	838.994.11*	1-1/4	31.7	3-1/4	1-3/4	3-49/64	541.550.00	791.004.00	990.058.00	991.057.00
	838.996.11*	1-1/2	38.1	3-1/2	1-3/4	3-21/32	990.423.00	791.003.00	990.058.00	991.057.00