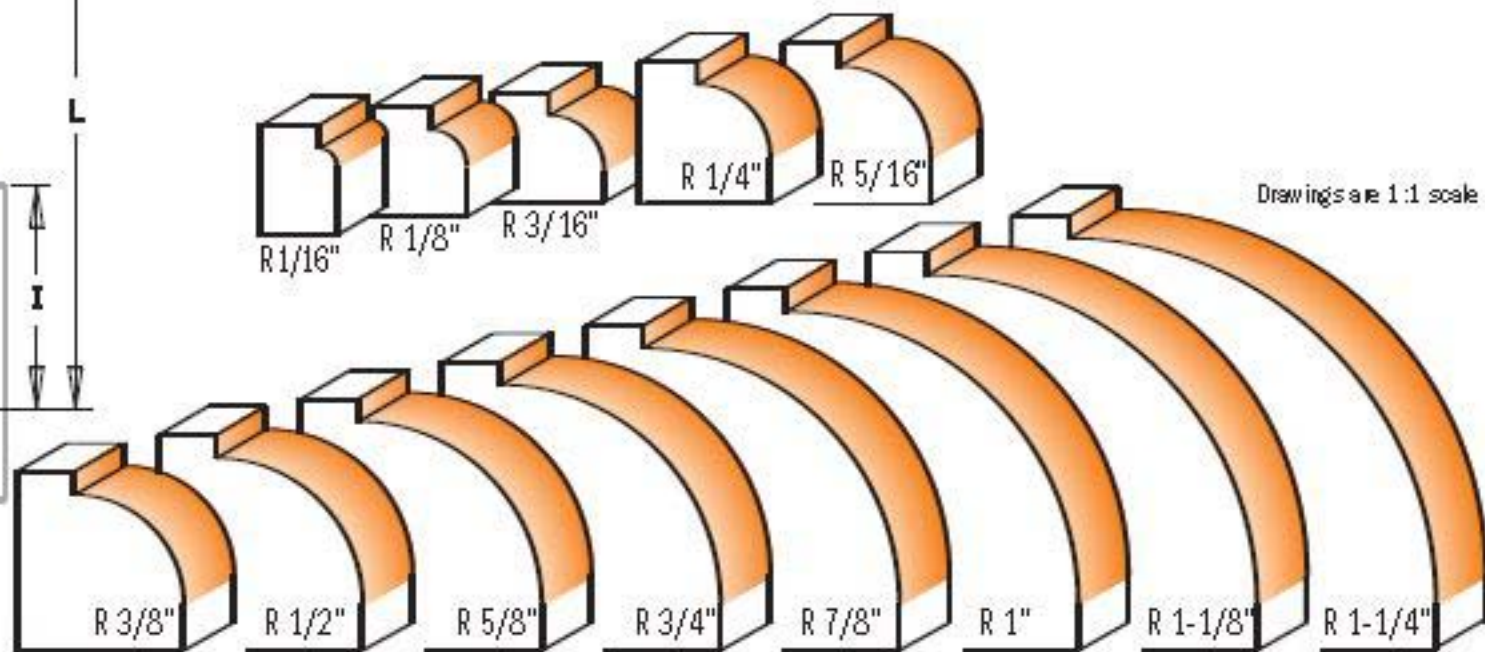
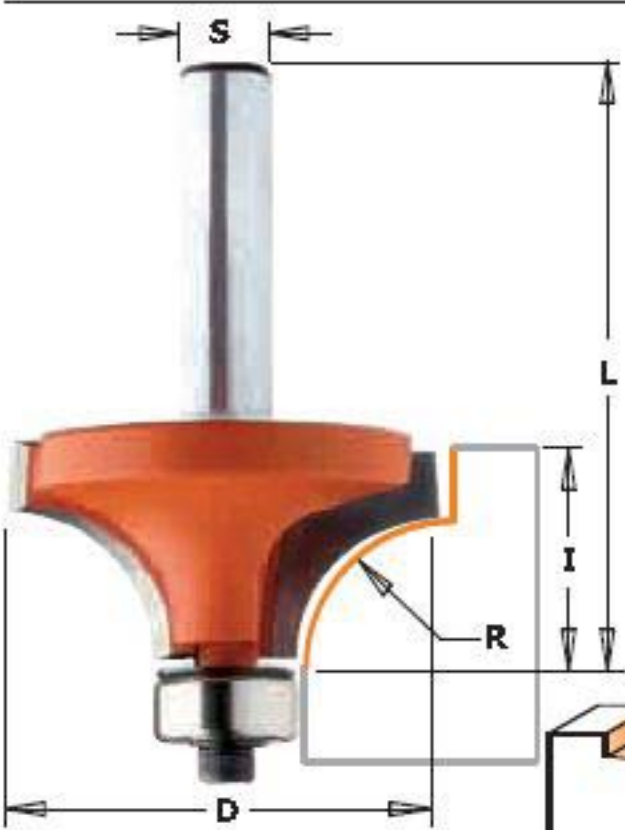


Roundover Bits



838

It's hard to find a profile bit that gets more work than a Roundover Bit. This shape is great for simple tasks like easing sharp corners, or for more intricate jobs like drop leaf tables (when used in conjunction with our Cove Bits of the same radius).



Drawings are 1:1 scale

| ORDER NO. 1/4" shank | ORDER NO. 1/2" shank | R | | D inches | I inches | L inches | Spare parts | | | |
|-------------------------|-------------------------|--------|------|-------------|-------------|-------------|-------------|------------|------------|------------|
| | | inches | mm | | | | Shield | Bearing | Screw TCEI | Hex key |
| 838.160.11 | | 1/16 | 1.6 | 5/8 | 1/2 | 2-5/32 | 990.423.00 | 791.003.00 | 990.058.00 | 991.057.00 |
| 838.190.11 | | 1/8 | 3.2 | 3/4 | 1/2 | 2-5/32 | 990.423.00 | 791.003.00 | 990.058.00 | 991.057.00 |
| 838.222.11 | | 3/16 | 4.75 | 7/8 | 1/2 | 2-5/32 | 990.423.00 | 791.003.00 | 990.058.00 | 991.057.00 |
| 838.254.11 | | 1/4 | 6.35 | 1 | 1/2 | 2-5/32 | 990.423.00 | 791.003.00 | 990.058.00 | 991.057.00 |
| | 838.754.11 | 1/4 | 6.35 | 1 | 1/2 | 2-25/64 | 990.423.00 | 791.003.00 | 990.058.00 | 991.057.00 |
| 838.285.11 | | 5/16 | 7.95 | 1-1/8 | 1/2 | 2-5/32 | 990.423.00 | 791.003.00 | 990.058.00 | 991.057.00 |
| 838.317.11 | | 3/8 | 9.52 | 1-1/4 | 9/16 | 2-13/64 | 990.423.00 | 791.003.00 | 990.058.00 | 991.057.00 |
| | 838.817.11 | 3/8 | 9.52 | 1-1/4 | 9/16 | 2-7/16 | 990.423.00 | 791.003.00 | 990.058.00 | 991.057.00 |
| 838.380.11 | | 1/2 | 12.7 | 1-1/2 | 3/4 | 2-25/64 | 990.423.00 | 791.003.00 | 990.058.00 | 991.057.00 |
| | 838.830.11 | 1/2 | 12.7 | 1-1/2 | 3/4 | 2-41/64 | 990.423.00 | 791.003.00 | 990.058.00 | 991.057.00 |
| 838.445.11 | | 5/8 | 15.9 | 1-3/4 | 7/8 | 2-17/32 | 990.423.00 | 791.003.00 | 990.058.00 | 991.057.00 |
| | 838.945.11 | 5/8 | 15.9 | 1-3/4 | 7/8 | 2-27/32 | 990.423.00 | 791.003.00 | 990.058.00 | 991.057.00 |
| | 838.990.11 | 3/4 | 19 | 2 | 1 | 2-57/64 | 990.423.00 | 791.003.00 | 990.058.00 | 991.057.00 |
| | 838.991.11 | 7/8 | 22.2 | 2-1/4 | 1-1/8 | 3-1/32 | 990.423.00 | 791.003.00 | 990.058.00 | 991.057.00 |
| | 838.992.11* | 1 | 25.4 | 2-1/2 | 1-5/16 | 3-13/64 | 990.423.00 | 791.003.00 | 990.058.00 | 991.057.00 |
| | 838.993.11* | 1-1/8 | 28.6 | 3 | 1-1/2 | 3-33/64 | 541.550.00 | 791.004.00 | 990.058.00 | 991.057.00 |
| | 838.994.11* | 1-1/4 | 31.7 | 3-1/4 | 1-3/4 | 3-49/64 | 541.550.00 | 791.004.00 | 990.058.00 | 991.057.00 |
| | 838.996.11* | 1-1/2 | 38.1 | 3-1/2 | 1-3/4 | 3-21/32 | 990.423.00 | 791.003.00 | 990.058.00 | 991.057.00 |