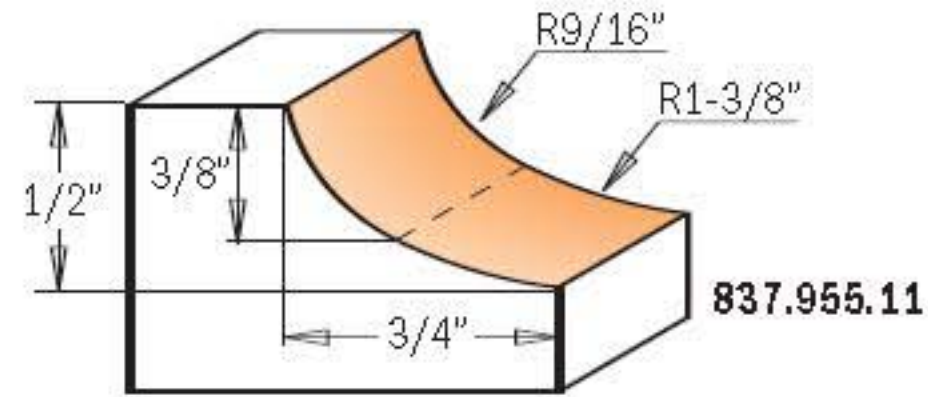
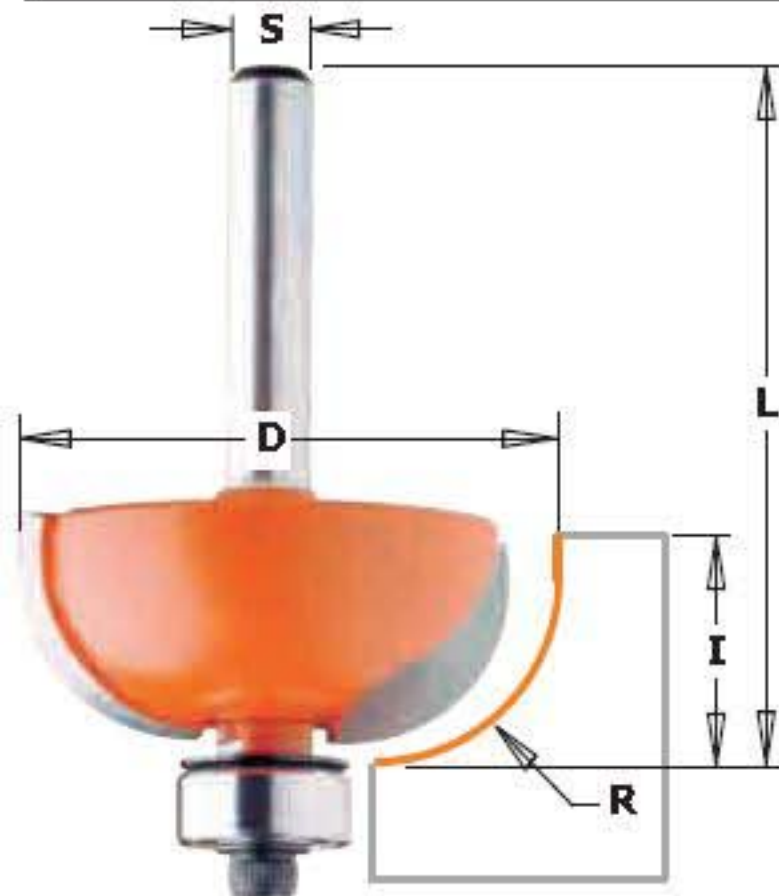


# Cove Bits



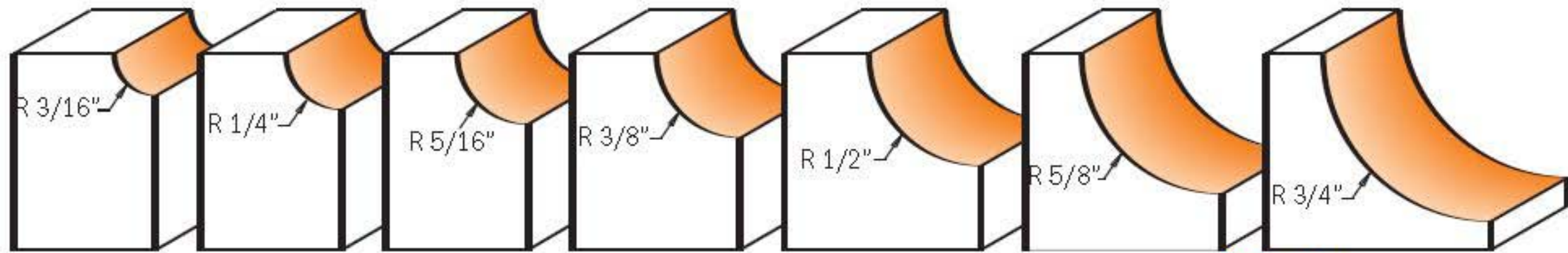
## 837

Transform furniture, doors, and drawer fronts from simple to elegant by giving them a final touch with a CMT Cove Bit. Put these bits together with a CMT Roundover Bit and build perfectly fitting rule joints that are ideal for drop leaf table tops.



837.955.11

Drawings are 1:1 scale



Spare parts

ORDER NO. 1/4" shank	ORDER NO. 1/2" shank	R		D	I	L	Shield	Bearing	Screw TCEI	Hex key
		inches	mm	inches	inches	inches				
837.190.11		3/16	4.75	7/8	1/2	2-11/64	990.423.00	791.003.00	990.058.00	991.057.00
	837.690.11	3/16	4.75	7/8	1/2	2-27/64	990.423.00	791.003.00	990.058.00	991.057.00
837.222.11		1/4	6.35	1	1/2	2-11/64	990.423.00	791.003.00	990.058.00	991.057.00
	837.722.11	1/4	6.35	1	1/2	2-27/64	990.423.00	791.003.00	990.058.00	991.057.00
837.254.11		5/16	8	1-1/8	1/2	2-9/64	990.423.00	791.003.00	990.058.00	991.057.00
	837.754.11	5/16	8	1-1/8	1/2	2-25/64	990.423.00	791.003.00	990.058.00	991.057.00
837.286.11		3/8	9.52	1-1/4	1/2	2-9/64	990.423.00	791.003.00	990.058.00	991.057.00
	837.786.11	3/8	9.52	1-1/4	1/2	2-25/64	990.423.00	791.003.00	990.058.00	991.057.00
837.350.11		1/2	12.7	1-1/2	5/8	2-9/32	990.423.00	791.003.00	990.058.00	991.057.00
	837.850.11	1/2	12.7	1-1/2	5/8	2-17/32	990.423.00	791.003.00	990.058.00	991.057.00
	837.950.11	5/8	15.87	1-3/4	3/4	2-41/64	990.423.00	791.003.00	990.058.00	991.057.00
	837.951.11	3/4	19	2	7/8	2-51/64	990.423.00	791.003.00	990.058.00	991.057.00
	837.955.11			2	1/2	2-27/64	990.423.00	791.003.00	990.058.00	991.057.00