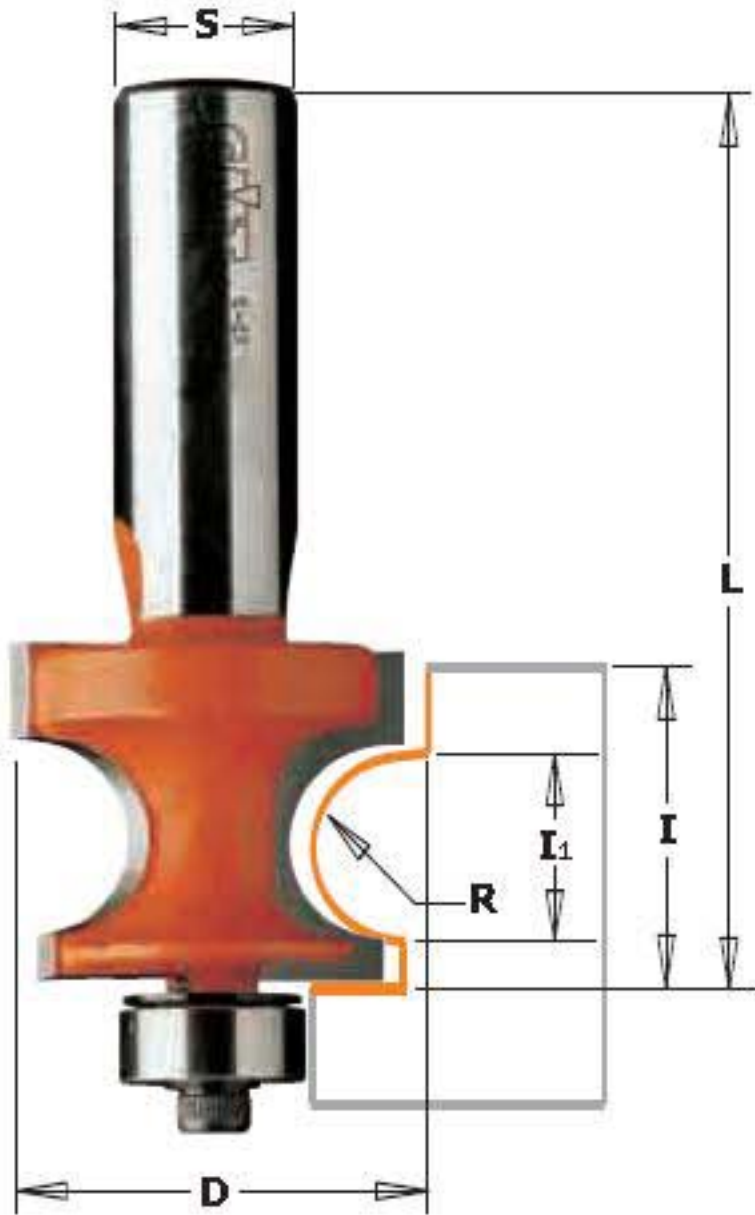


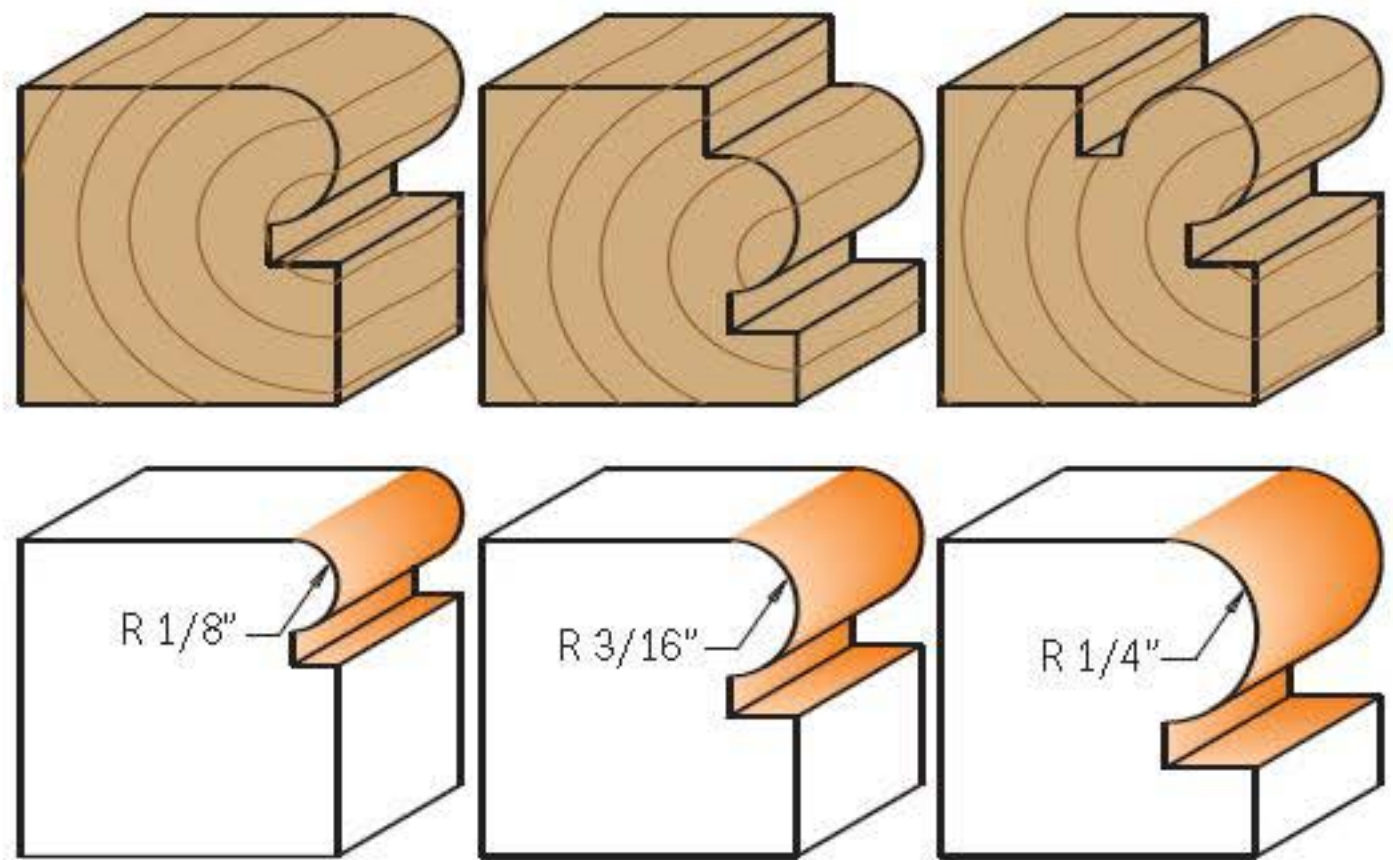
Corner Beading Bits



861

Corner Beading bits look like Bull Nose bits, but a smaller cutting diameter adjacent to the bearing makes them a perfect shape for table legs and other furniture details. The drawings below give a sense of the shapes you can form with a single bit. Use one pass to mill an attractive rounded edge, or make two passes to mill a full-round corner bead.

CARBIDE TIPPED
Z2
RH



Drawings are 1:1 scale

Spare parts

| ORDER NO. 1/4" shank | ORDER NO. 1/2" shank | R inches | R mm | D inches | I ₁ inches | I inches | L inches | Shield | Bearing | Screw | Hex key |
|-------------------------|-------------------------|-------------|---------|-------------|--------------------------|-------------|-------------|------------|------------|------------|------------|
| 861.032.11 | | 1/8 | 3.2 | 7/8 | 1/4 | 19/32 | 2-9/32 | 990.423.00 | 791.003.00 | 990.058.00 | 991.057.00 |
| | 861.532.11 | 1/8 | 3.2 | 7/8 | 1/4 | 19/32 | 2-17/32 | 990.423.00 | 791.003.00 | 990.058.00 | 991.057.00 |
| 861.048.11 | | 3/16 | 4.75 | 1 | 3/8 | 47/64 | 2-27/64 | 990.423.00 | 791.003.00 | 990.058.00 | 991.057.00 |
| | 861.548.11 | 3/16 | 4.75 | 1 | 3/8 | 47/64 | 2-43/64 | 990.423.00 | 791.003.00 | 990.058.00 | 991.057.00 |
| 861.064.11 | | 1/4 | 6.35 | 1-1/8 | 1/2 | 7/8 | 2-9/16 | 990.423.00 | 791.003.00 | 990.058.00 | 991.057.00 |
| | 861.564.11 | 1/4 | 6.35 | 1-1/8 | 1/2 | 7/8 | 2-13/16 | 990.423.00 | 791.003.00 | 990.058.00 | 991.057.00 |