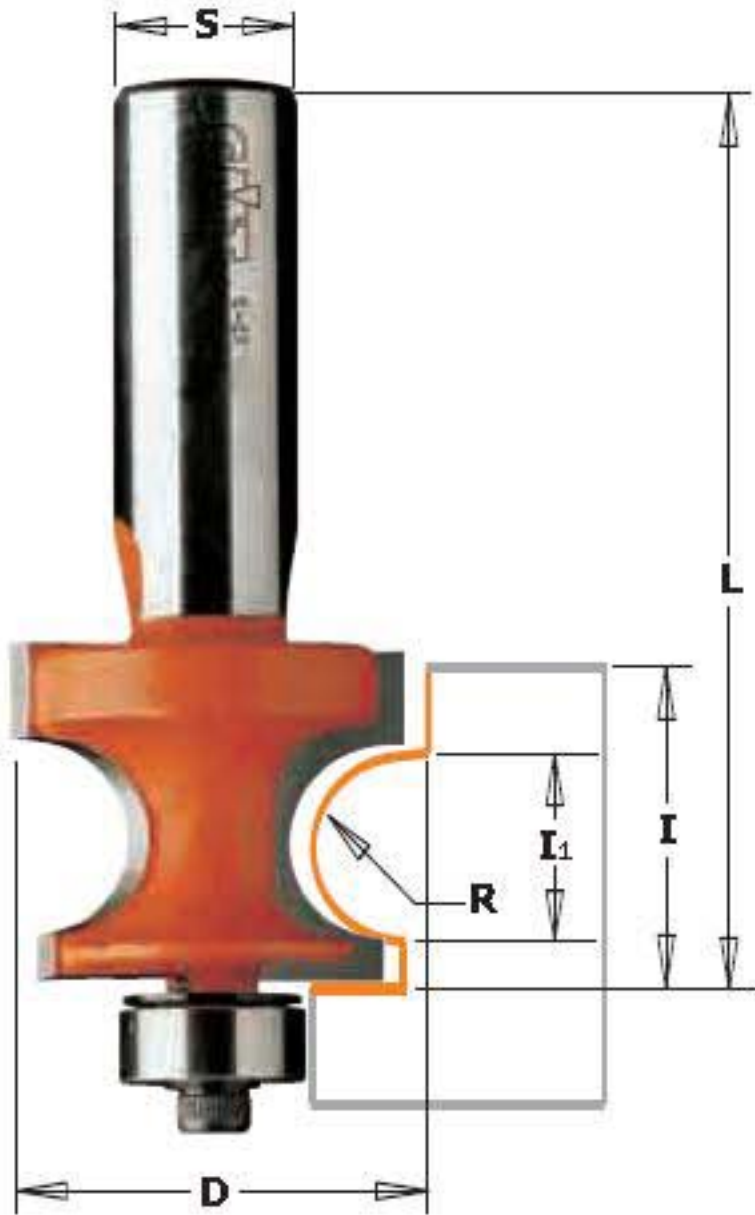


Corner Beading Bits

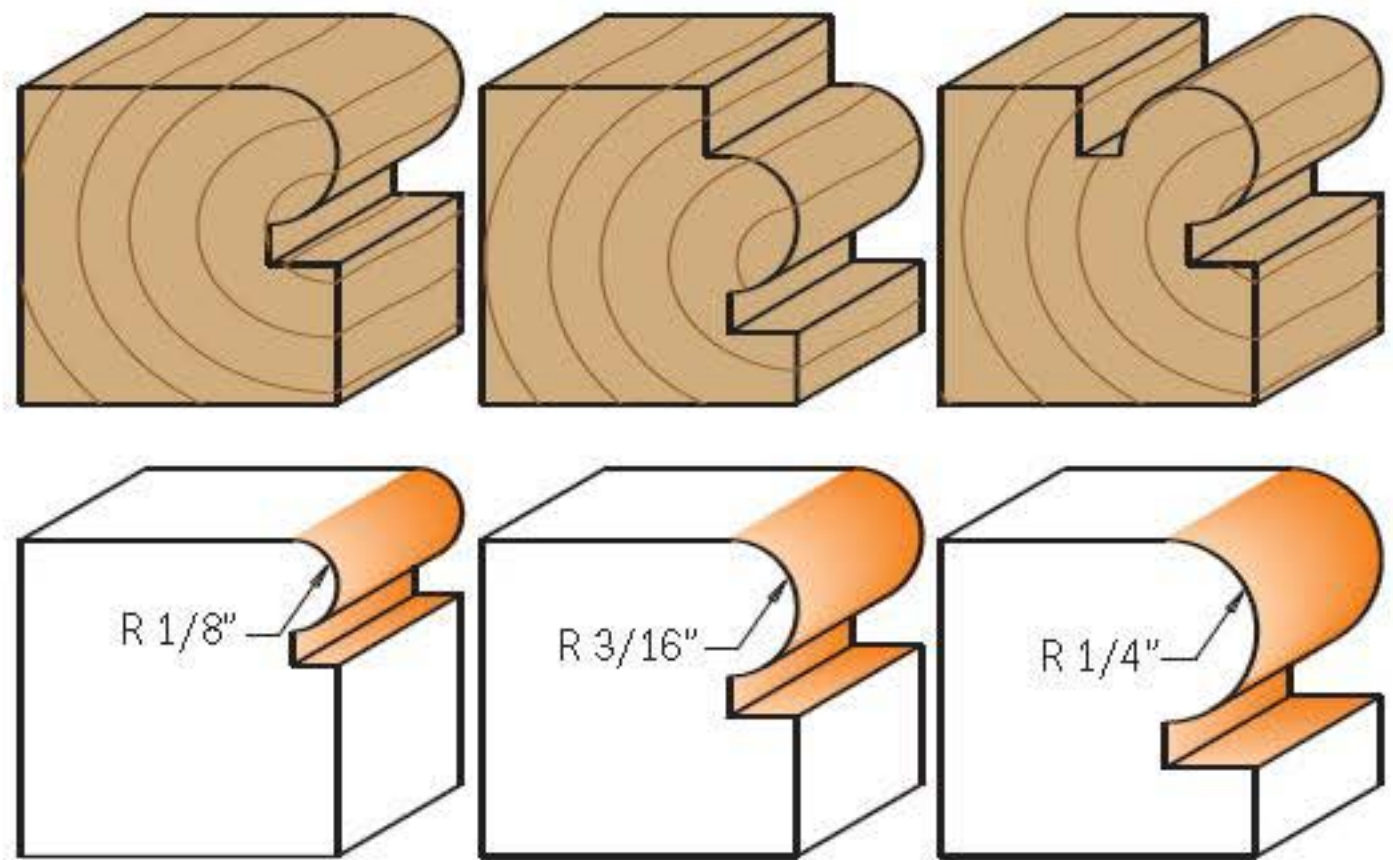


861

Corner Beading bits look like Bull Nose bits, but a smaller cutting diameter adjacent to the bearing makes them a perfect shape for table legs and other furniture details. The drawings below give a sense of the shapes you can form with a single bit. Use one pass to mill an attractive rounded edge, or make two passes to mill a full-round corner bead.

CARBIDE TIPPED
Z2
RH





Drawings are 1:1 scale

Spare parts

ORDER NO. 1/4" shank	ORDER NO. 1/2" shank	R inches	R mm	D inches	I ₁ inches	I inches	L inches	Shield	Bearing	Screw	Hex key
861.032.11		1/8	3.2	7/8	1/4	19/32	2-9/32	990.423.00	791.003.00	990.058.00	991.057.00
	861.532.11	1/8	3.2	7/8	1/4	19/32	2-17/32	990.423.00	791.003.00	990.058.00	991.057.00
861.048.11		3/16	4.75	1	3/8	47/64	2-27/64	990.423.00	791.003.00	990.058.00	991.057.00
	861.548.11	3/16	4.75	1	3/8	47/64	2-43/64	990.423.00	791.003.00	990.058.00	991.057.00
861.064.11		1/4	6.35	1-1/8	1/2	7/8	2-9/16	990.423.00	791.003.00	990.058.00	991.057.00
	861.564.11	1/4	6.35	1-1/8	1/2	7/8	2-13/16	990.423.00	791.003.00	990.058.00	991.057.00