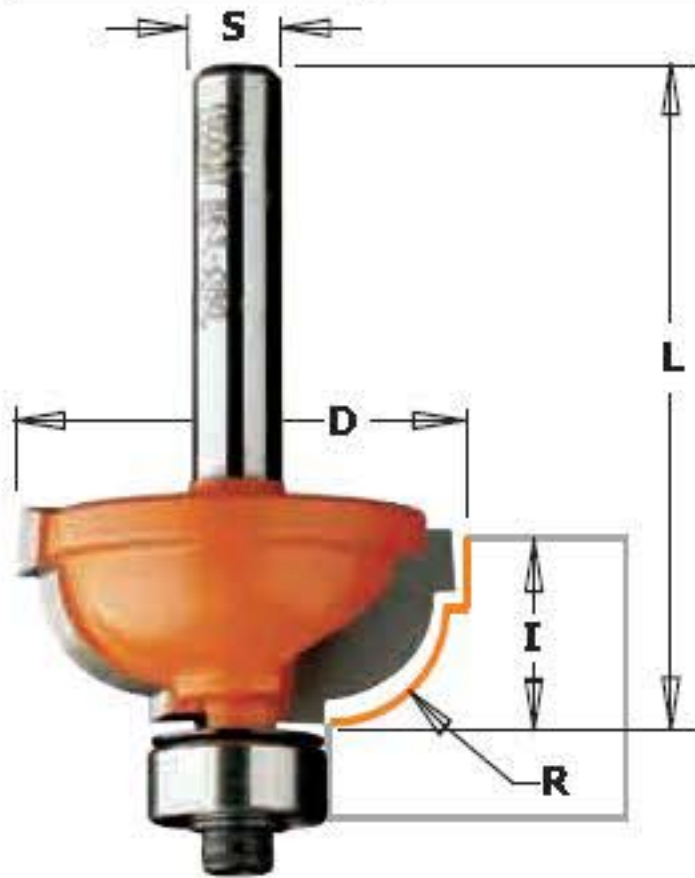


Cavetto Edge Mold Bits

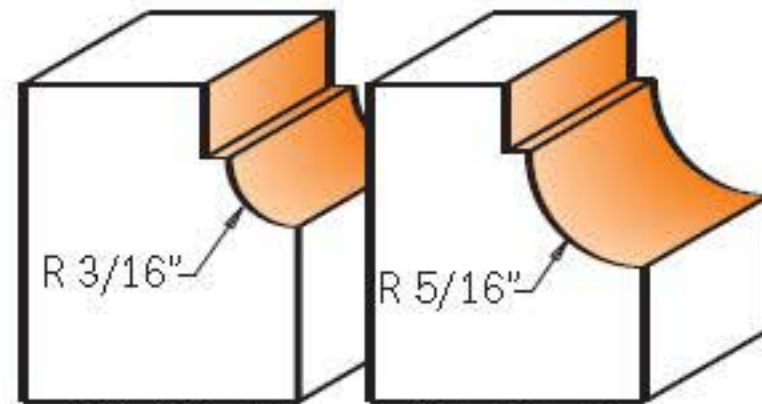


863 - 864

The Cavetto Bit cuts a beautiful, traditional profile, or use just a portion of the bit to cut a more simple, clean cove edge. Adds a special touch to furniture pieces.

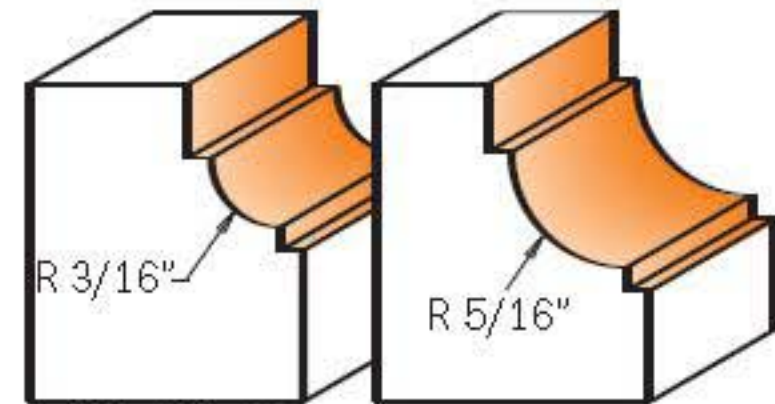


Drawings are 1:1 scale



863.048.11
863.548.11

863.080.11
863.580.11



864.048.11
864.548.11

864.080.11
864.580.11

Spare parts

ORDER NO. 1/4" shank	ORDER NO. 1/2" shank	R		D inches	I inches	L inches	Spare parts			
		inches	mm				Shield	Bearing	Screw TCEI	Hex key
863.048.11		3/16	4.76	1	29/64	2-5/32	990.423.00	791.003.00	990.058.00	991.057.00
	863.548.11	3/16	4.76	1	29/64	2-13/32	990.423.00	791.003.00	990.058.00	991.057.00
863.080.11		5/16	8	1-1/4	9/16	2-1/4	990.423.00	791.003.00	990.058.00	991.057.00
	863.580.11	5/16	8	1-1/4	9/16	2-41/64	990.423.00	791.003.00	990.058.00	991.057.00
864.048.11		3/16	4.76	1	29/64	2-3/32	990.422.00	791.002.00	990.058.00	991.057.00
	864.548.11	3/16	4.76	1	29/64	2-21/64	990.422.00	791.002.00	990.058.00	991.057.00
864.080.11		5/16	8	1-1/4	9/16	2-11/64	990.422.00	791.002.00	990.058.00	991.057.00
	864.580.11	5/16	8	1-1/4	9/16	2-9/16	990.422.00	791.002.00	990.058.00	991.057.00