

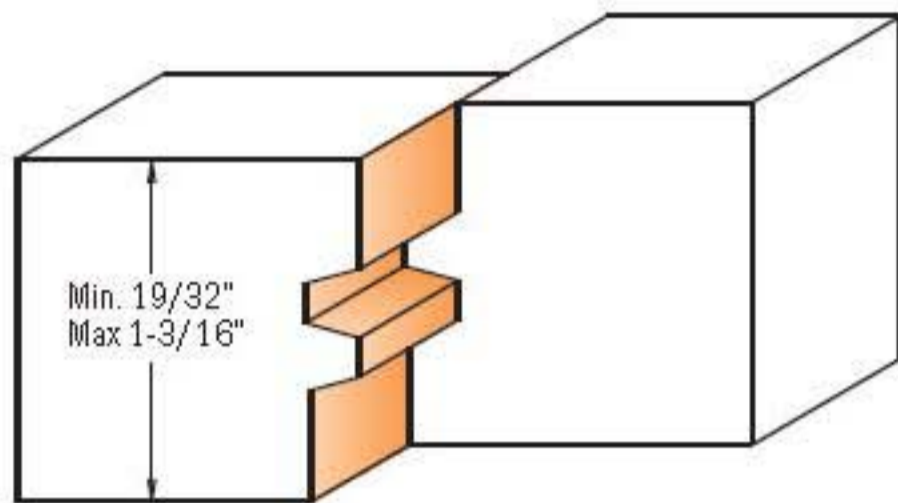
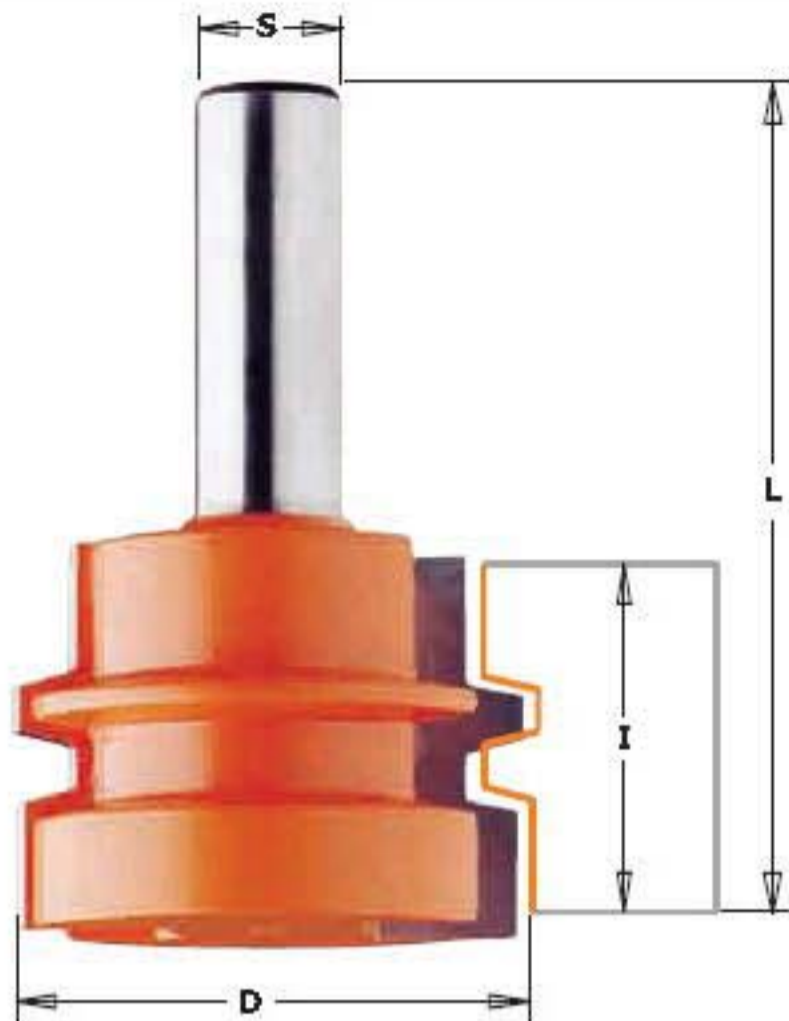
Reverse Glue Joint Bit



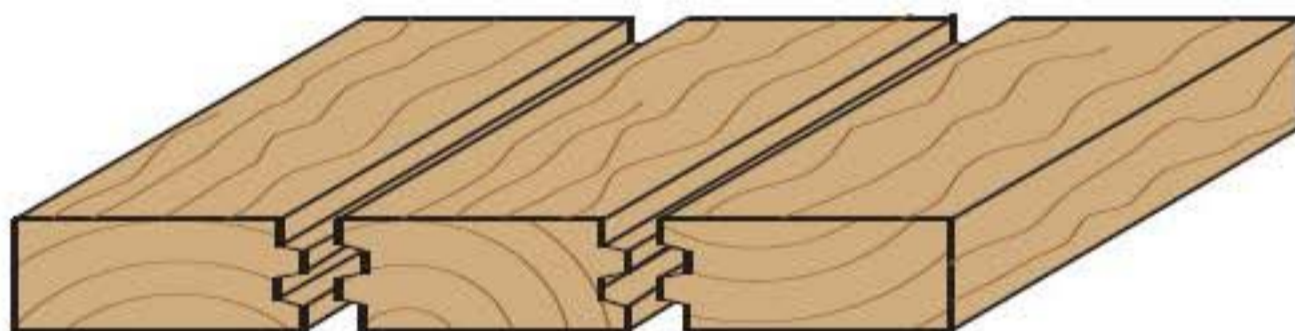
855.501

CMT's Reverse Glue Joint Bit produces an almost indestructible glue joint quickly and accurately. Ideal for joining wide panels, doors and furniture parts. By accurately centering the bit in the wood, the upper and lower vertical cutting edges of the bit will cut equal proportions. Simply run one edge of the panel, turn the panel over, and then run the opposite edge - you will produce perfectly matched reverse cuts that form flawless joints.

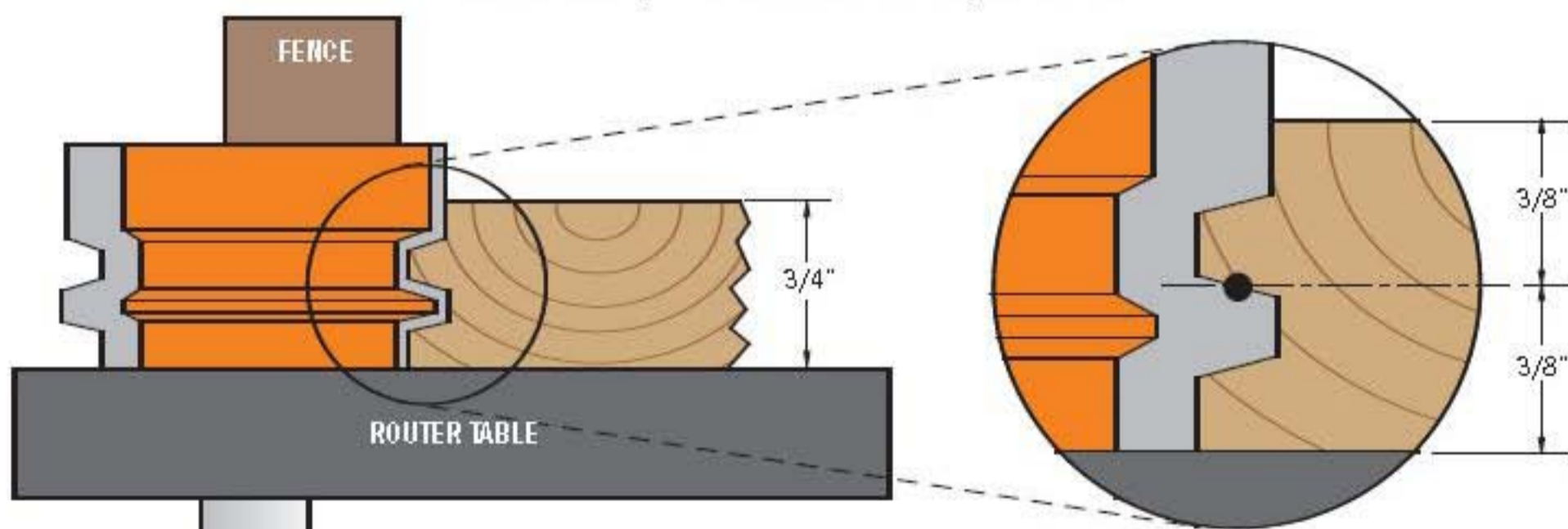
Tip: When gluing, apply enough pressure to securely seal the joint. Insufficient pressure results in a weak joint and excessive pressure will distort the wood.



Drawings are 1:1 scale



In this example we have used a 3/4" board



For accurate cuts, the bit must be centered on the edge of the workpiece. When the bit is properly centered, the upper and lower vertical "shoulders" will be the same height. Line up the center of the edge of the workpiece with the center point of the bit as shown in the enlarged drawing. Make test cuts and adjust the bit height as needed before cutting your workpiece. Once the bit's height is properly set, make the cut on one piece of stock with the face side up, then make the cut on the matching piece with the face side down.

| ORDER NO. 1/2" shank | D | | I inches | T ₁ inches | L inches |
|-------------------------|--------|------|-------------|--------------------------|-------------|
| | inches | mm | | | |
| 855.501.11 | 1-3/4 | 44.4 | 1-1/4 | 19/32 - 1-3/16 | 2-49/64 |