

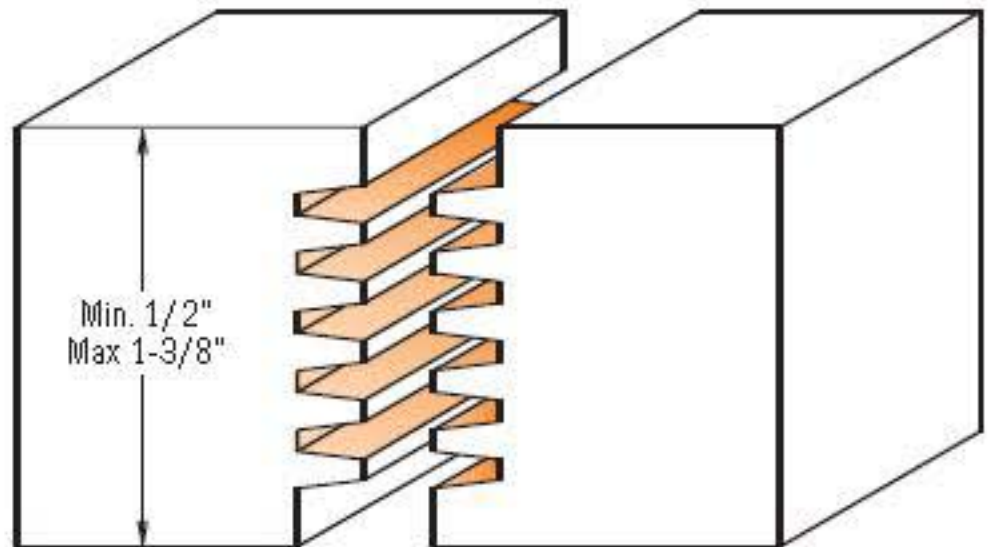
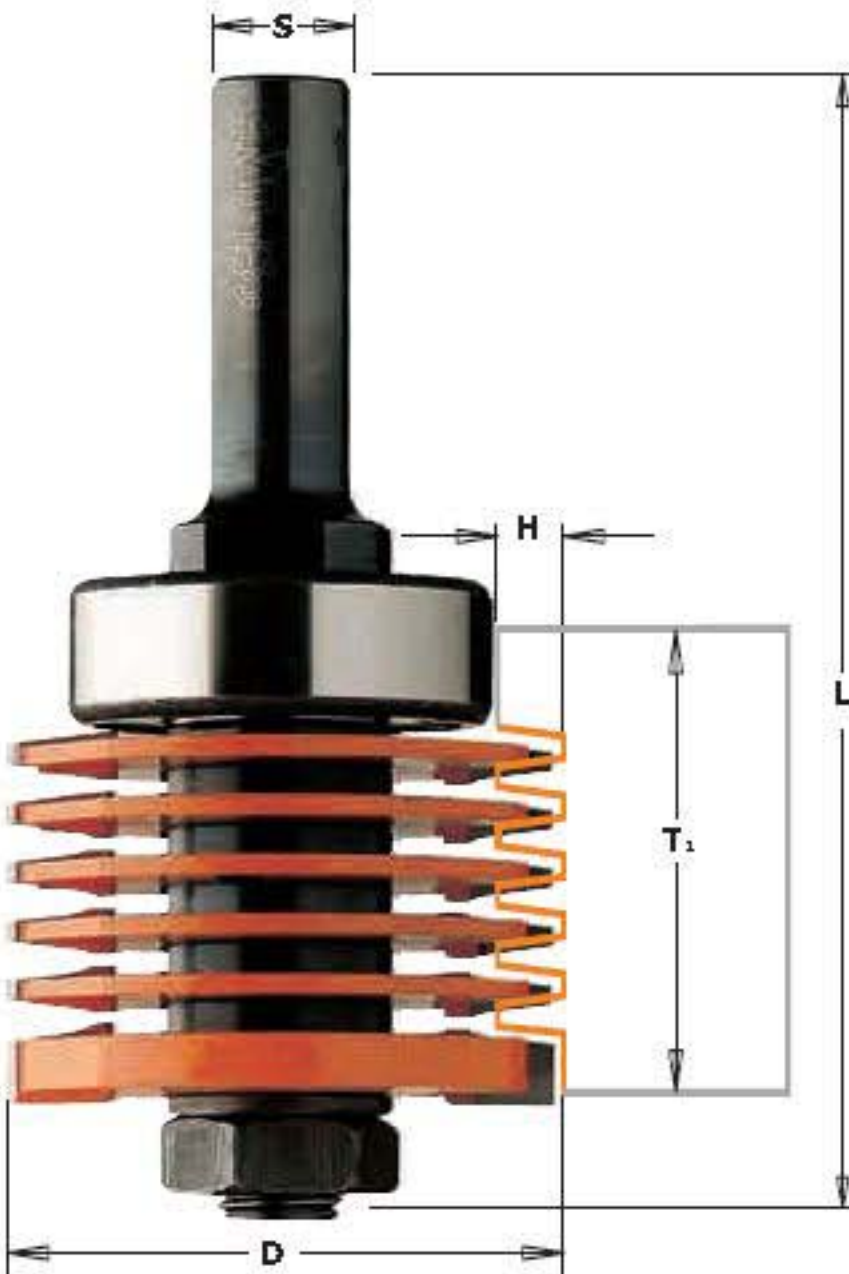
Professional Finger Joint Bit



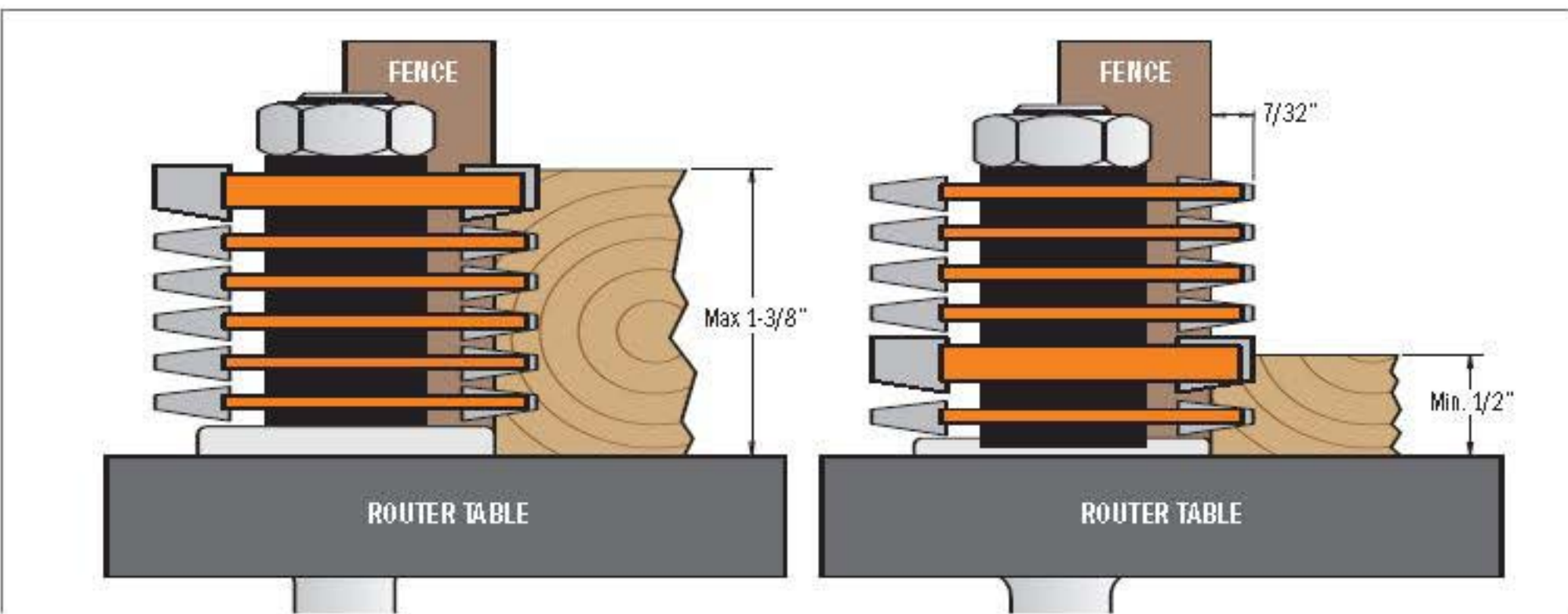
800.606



The versatile CMT Professional Finger Joint Bit lets you make an incredibly strong side-to-side or end-to-end joint in wood and wood composites. The tightness of the accurately cut joint and the maximum glue surface create a joint that is actually stronger than the wood itself. The bit features two flute design, carbide teeth and six removable cutters. Use different combinations of cutters to mill joints from 1/2" to 1-3/8" thick.



Drawings are 1:1 scale



ORDER NO. 1/2" shank	D		H	T ₁	L	Spare parts		
	inches	mm	inches	inches	inches	Arbor with shim	Bearing	Nut
800.606.11	1-7/8	47.6	7/32	1/2 - 1-3/8	3-53/64	824.129.00	791.028.00	990.022.00

- Spare parts**
- 822.005.11 5/64" two-flute slot cutter
 - 822.006.11 7/32" two-flute slot cutter
 - 541.511.00 1/8" spacer
 - 541.512.00 5/64" spacer
 - 541.513.00 0.1mm spacer