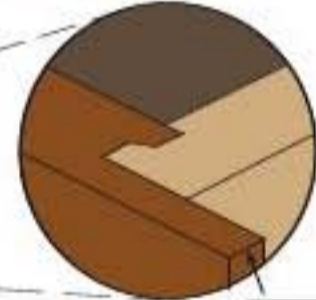
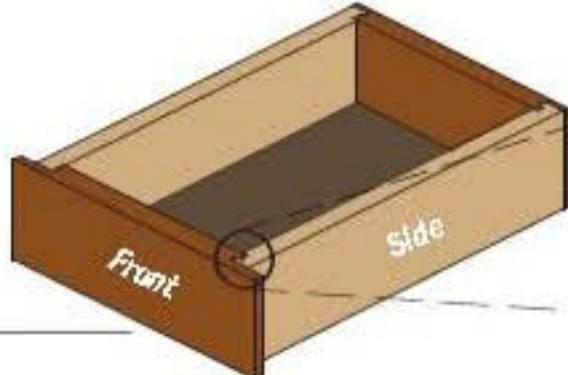
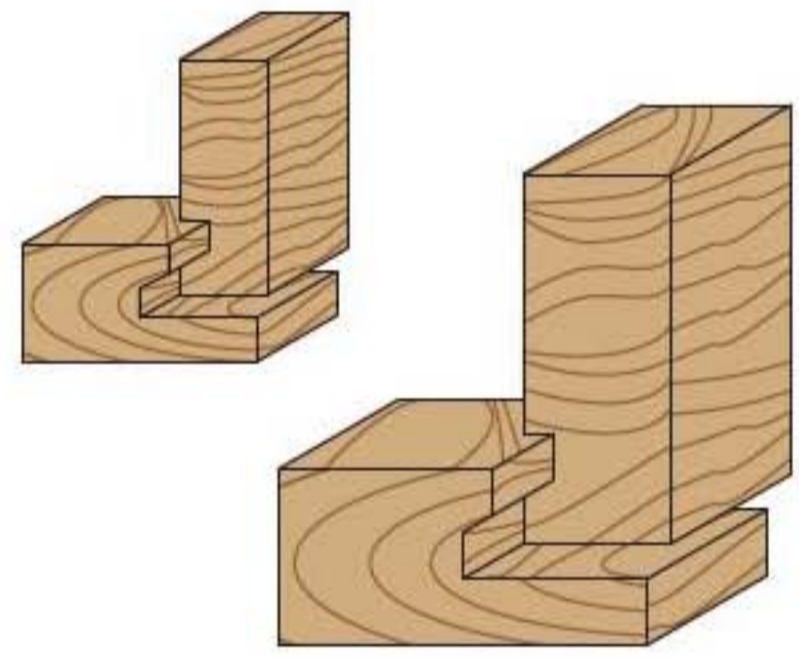
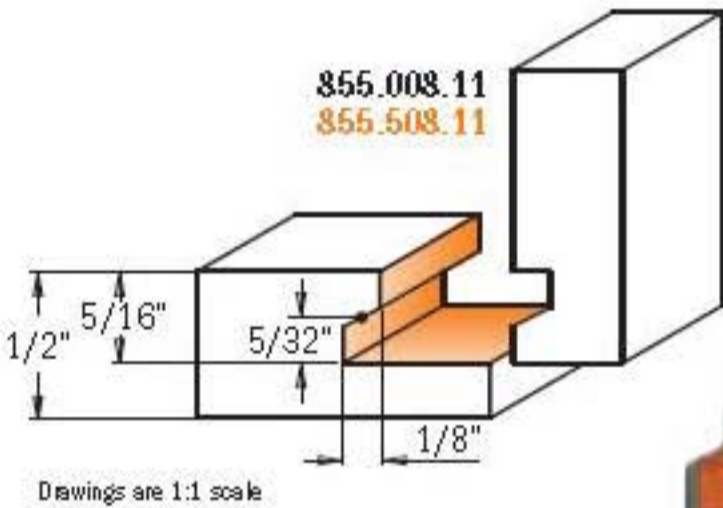
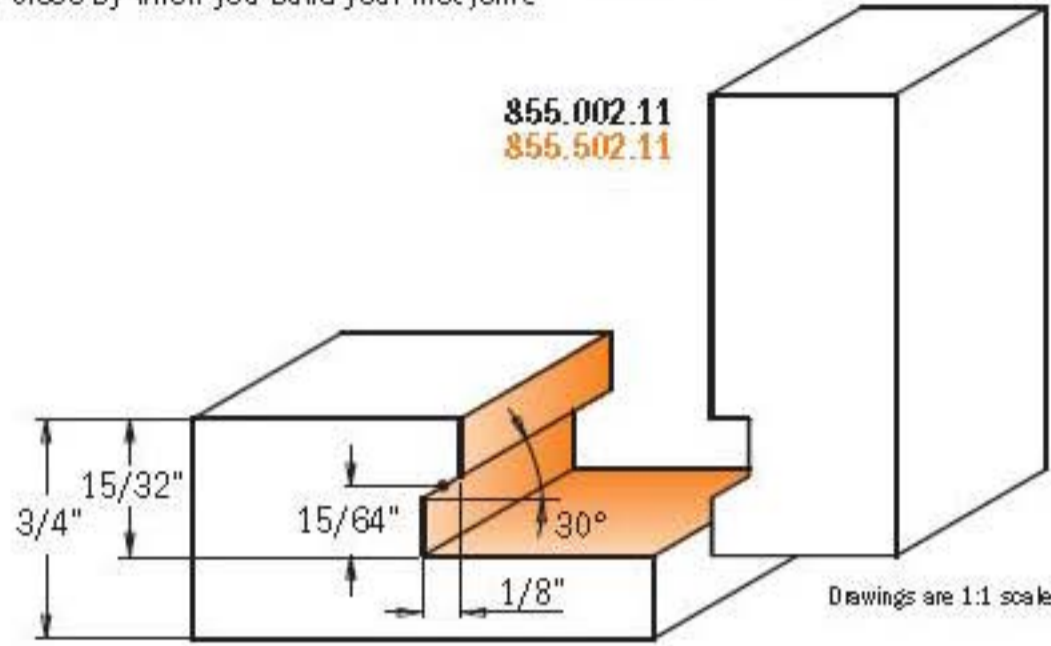
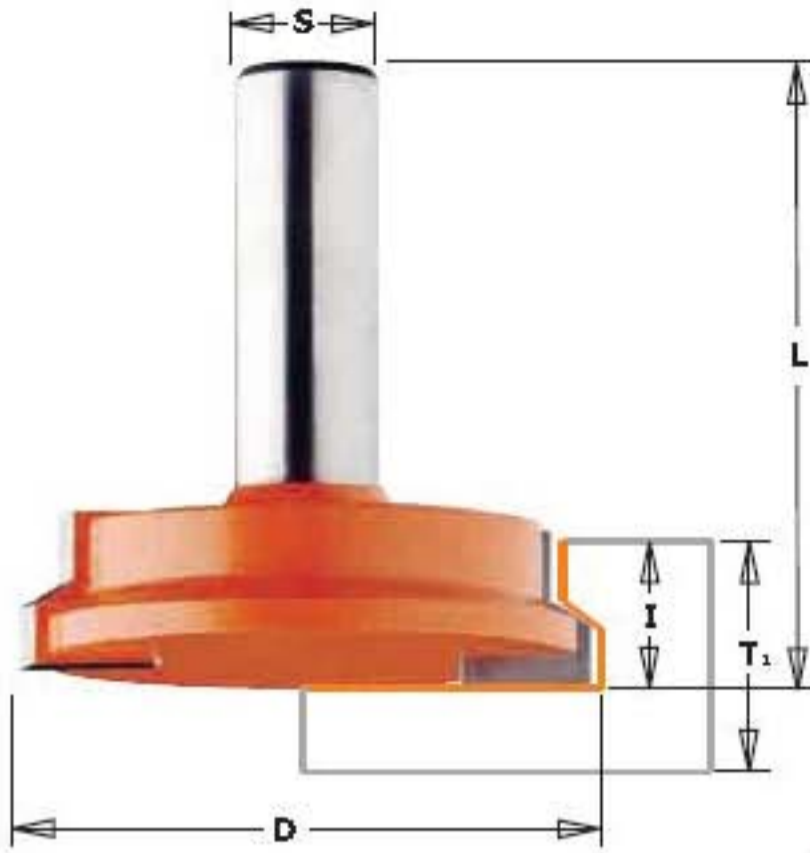


Drawer Lock Bits

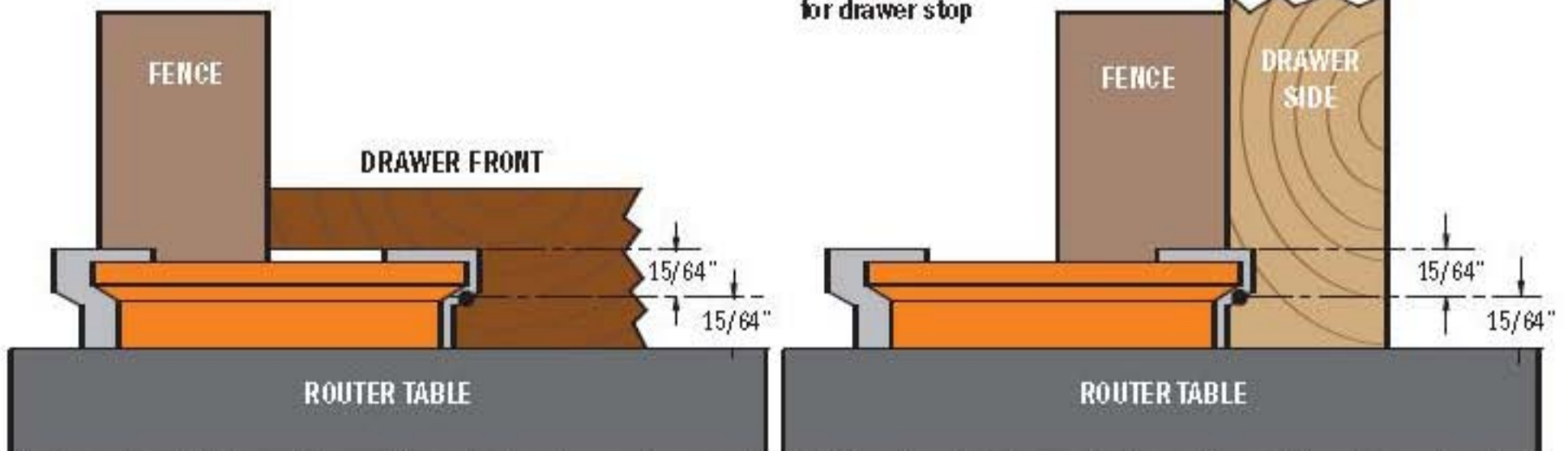


855

Most drawers live a pretty tough life. They're pulled and pushed and usually overloaded, so the key to success when constructing fine drawers is in the quality of the joint you choose for the corners. With CMT Drawer Lock Bits you can make strong, perfectly fitting joints quickly and easily. Be sure to keep the setup illustrations below close by when you build your first joint.



Overhang
for drawer stop



As illustrated, mill the drawer front with the inside face down on the router table. Mill the sides of the drawer with the inside face of the workpiece placed vertical in relation to the bit and fence, and perpendicular to the table. Make a few test cuts on scrap stock to test your setup. These bits are to be used on router tables only and are not to be used on hand held routers.

ORDER NO. 1/4" shank	ORDER NO. 1/2" shank	D		T ₁		I	L
		inches	mm	min. inches	max inches	inches	inches
855.008.11	855.508.11	1	25.4	3/8	5/8	1/2	2-25/64
855.002.11		1-1/4	31.7	5/8	1	1/2	1-49/64
	855.502.11	2	50.8	5/8	1	1/2	2