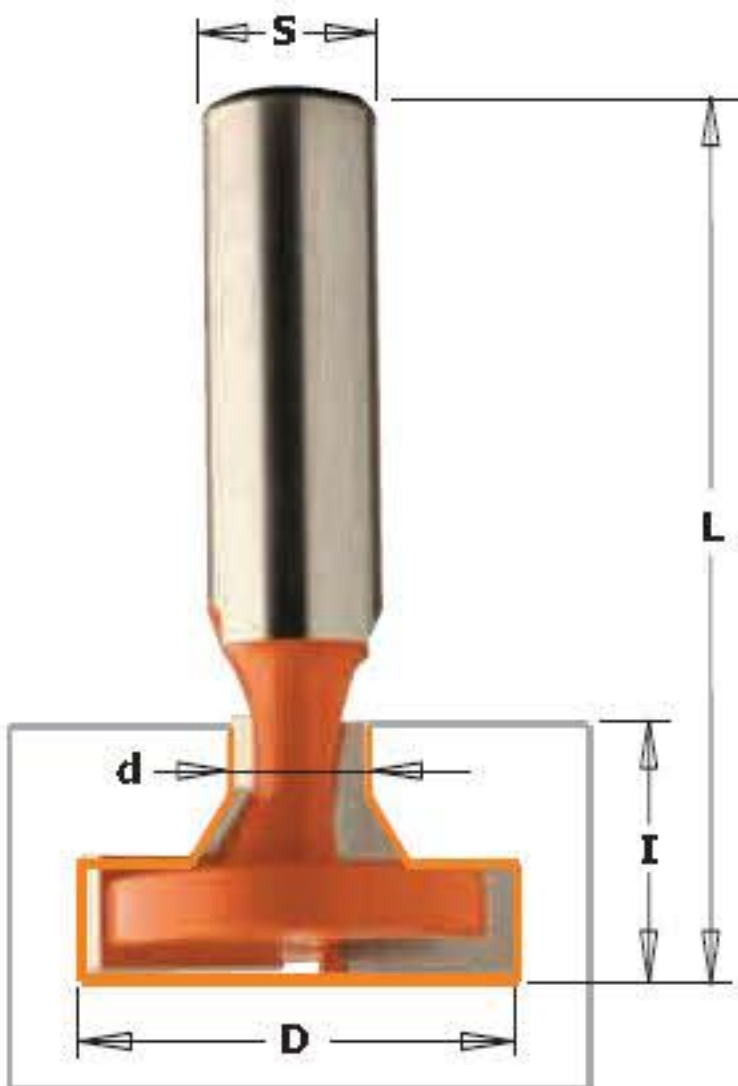


T-Slot Bits

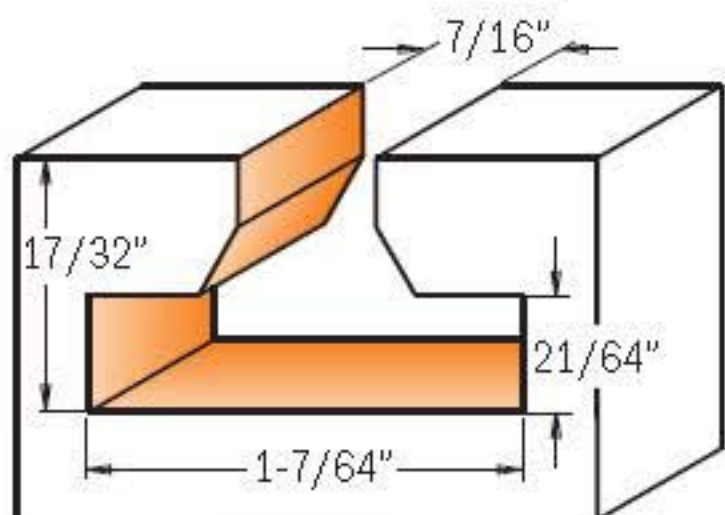
CARBIDE TIPPED Z2 RH

850.6

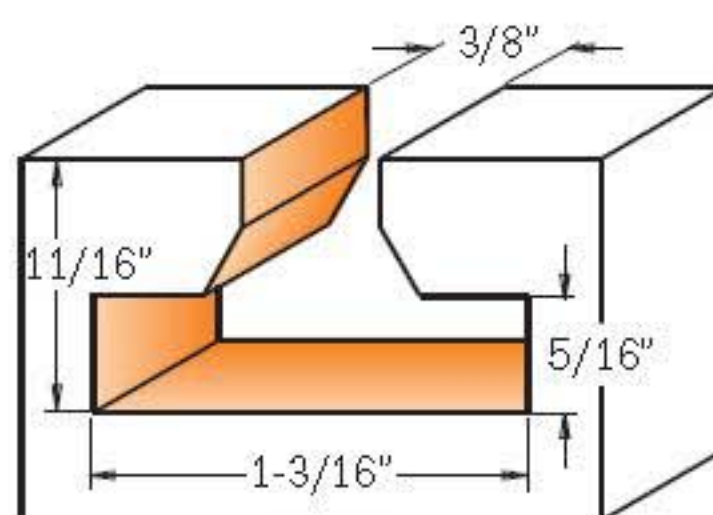
With the CMT T-Slot bits you can make wall panels slots. These bits are not designed for plunging operations. For best results use in CNC and table-mounted routers.



ORDER NO. 1/2" shank	D inches	D mm	d inches	I inches	L inches
850.603.11	1-7/64	28	3/16	7/16	2-7/32
850.601.11	1-3/16	30	3/8	11/16	2-3/8
850.602.11	1-17/64	32	19/32	25/32	2-1/2

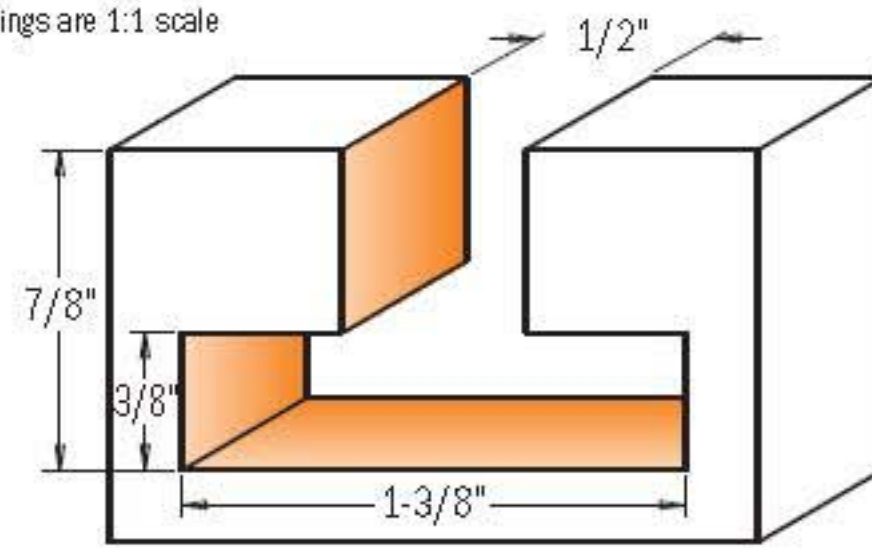


850.603



850.601

Drawings are 1:1 scale



850.602