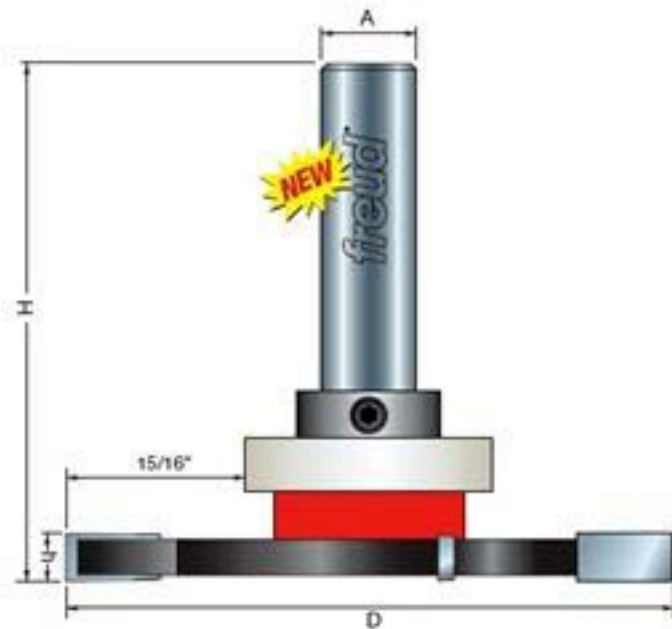


4-Wing Bowl Removal



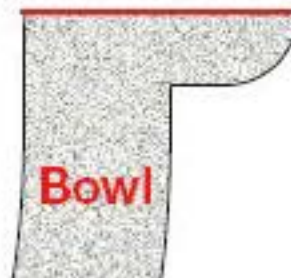
Application: Bowl removal.

- Specially formulated carbide is ideal for fabricating solid surface materials.
- Cuts all solid surface materials.
- Use in hand-held portable routers.
- Removes damaged bowls from tops.

Bits #85-465 & #85-470 are used for removing mounted bowls as shown below.



85-465
85-470



Item #	Description	Overall Dia.(D)	Carbide Height(h)	Angle (d)	Shank Dia.(A)	Overall Length(H)
85-465	1-1/8" cut depth, For all bowls except Corian®	3-5/8"	1/4"	-	1/2"	2-5/8"
85-470	15/16" cut depth, For Corian® bowls	3-3/16"	1/4"	-	1/2"	2-5/8"