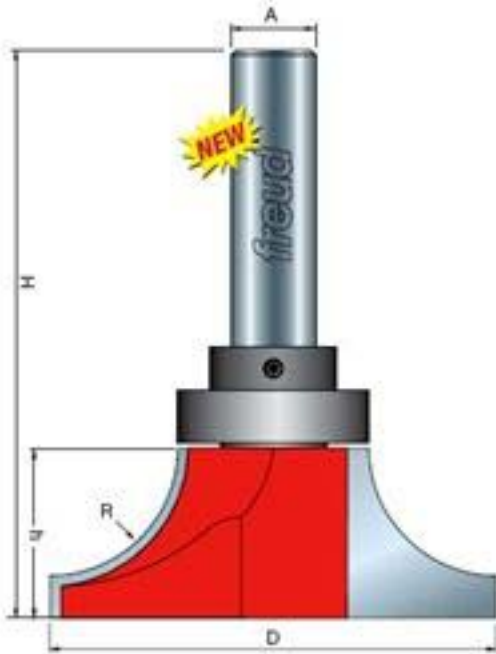


Under Rounding Bit For Bull Nose

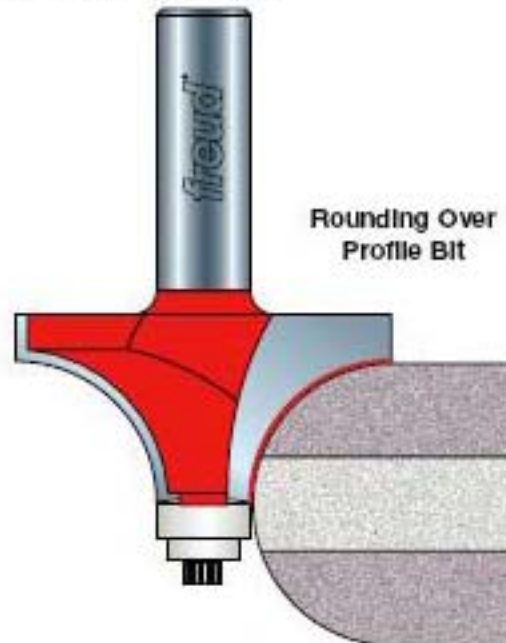
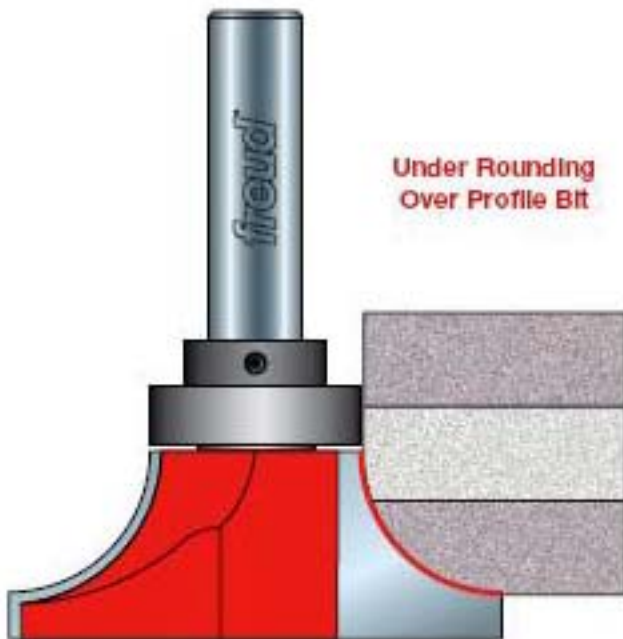


Application: Routing the lower portion of a bull nose edge

- Combine these bits with the Rounding Over Bits above to create perfect bull nose edges.
- Specially formulated carbide is ideal for fabricating solid surface materials.
- Cuts all solid surface materials.
- Use in hand-held portable routers.
- Includes steel bearing.



A full bull nose profile can be created by using the above the Under Rounding Bit to create the bottom round over profile and use the Rounding Over Bit (next page) to create the top round over profile.



Item #	For Top Thickness	Overall Dia.(D)	Carbide Height(h)	Large Radius(R)	Shank Dia.(A)	Overall Length(H)
85-344	1/2"	1-5/8"	3/8"	1/4"	1/2"	2-5/8"
85-364	3/4"	1-7/8"	1/2"	3/8"	1/2"	2-3/4"
85-374	1"	2-1/8"	3/4"	1/2"	1/2"	3"
85-384	1-1/2"	2-5/8"	1"	3/4"	1/2"	3-3/8"