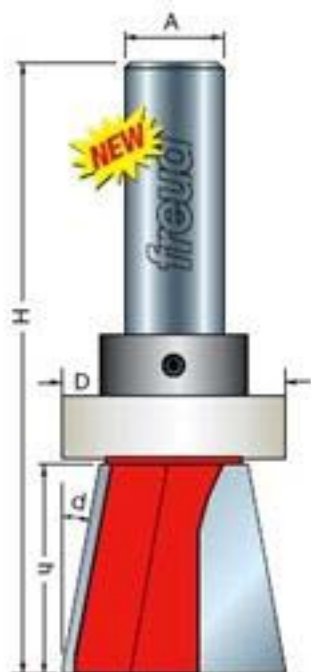
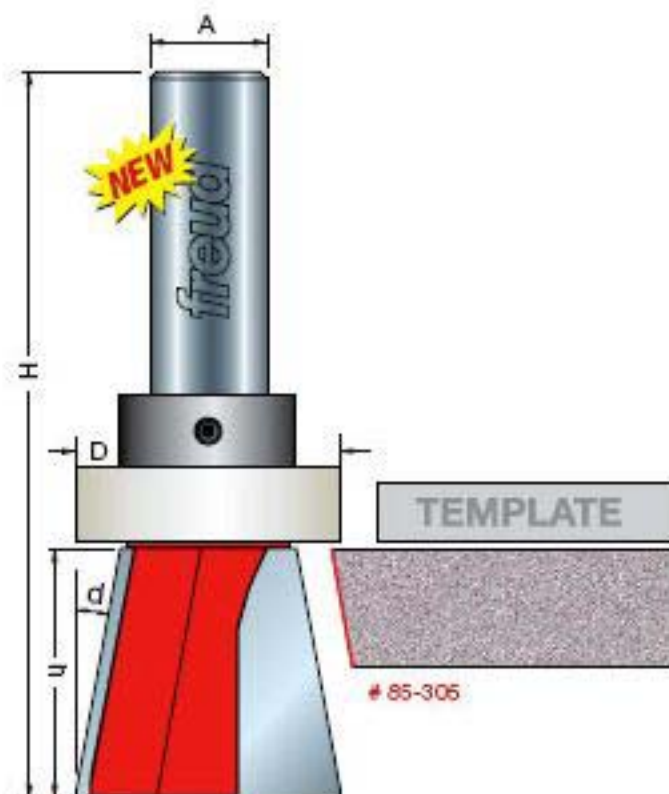
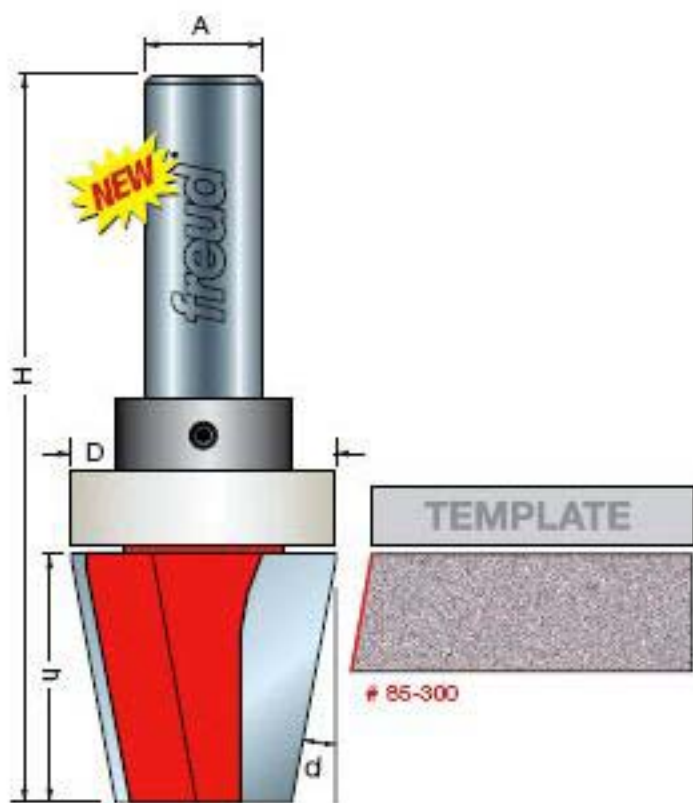


Dovetail Repair



Application: Bevel edge trimming.

- Specially formulated carbide is ideal for fabricating solid surface materials.
- Cuts all solid surface materials.
- Use in hand-held portable routers.
- The Dovetail and Bevel bits cut matching bevel edges.



Item #	Description	Overall Dia.(D)	Carbide Height(h)	Angle (d)	Shank Dia.(A)	Overall Length(H)
85-300	Bevel Bit	1-1/8"	1"	10°	1/2"	3"
85-305	Dovetail Bit	1-1/8"	1"	10°	1/2"	3"