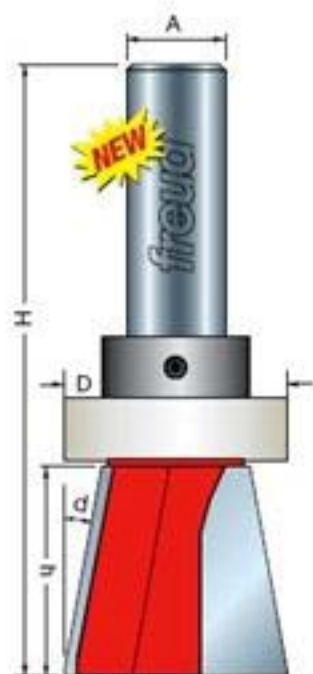
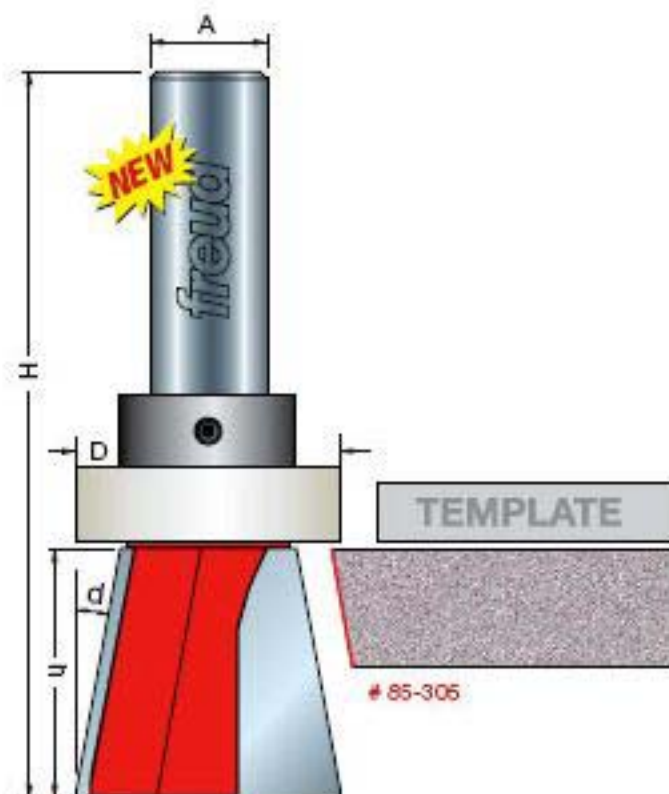
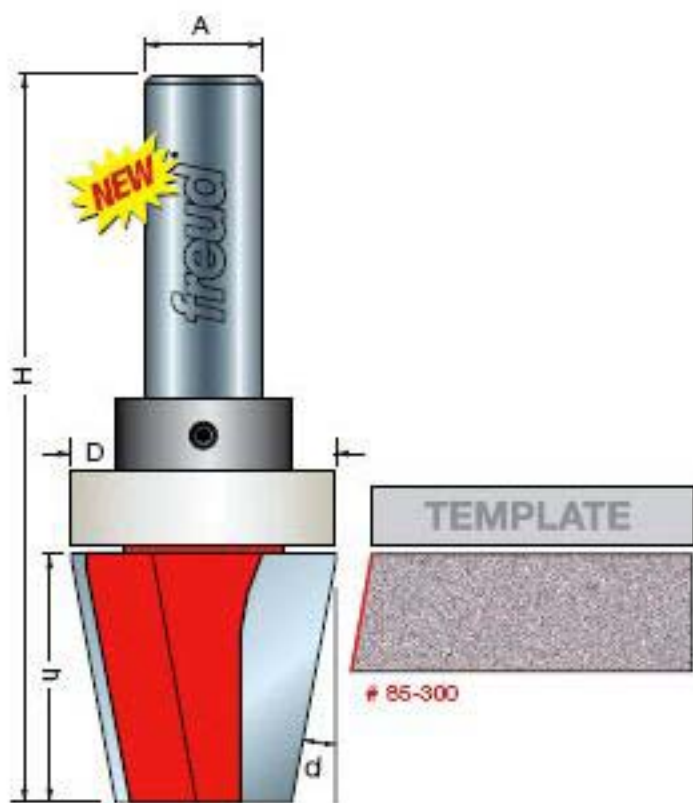


Dovetail Repair



Application: Bevel edge trimming.

- Specially formulated carbide is ideal for fabricating solid surface materials.
- Cuts all solid surface materials.
- Use in hand-held portable routers.
- The Dovetail and Bevel bits cut matching bevel edges.



| Item # | Description | Overall Dia.(D) | Carbide Height(h) | Angle (d) | Shank Dia.(A) | Overall Length(H) |
|--------|--------------|-----------------|-------------------|-----------|---------------|-------------------|
| 85-300 | Bevel Bit | 1-1/8" | 1" | 10° | 1/2" | 3" |
| 85-305 | Dovetail Bit | 1-1/8" | 1" | 10° | 1/2" | 3" |