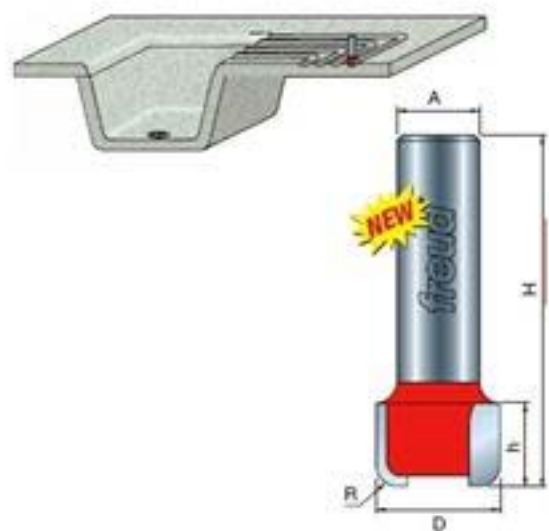
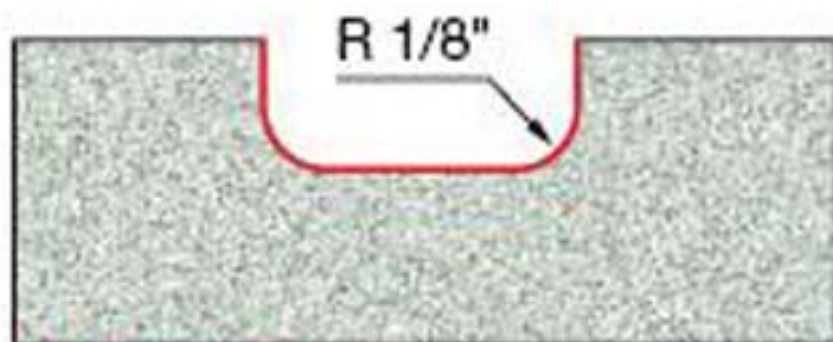


Drainboard Bits

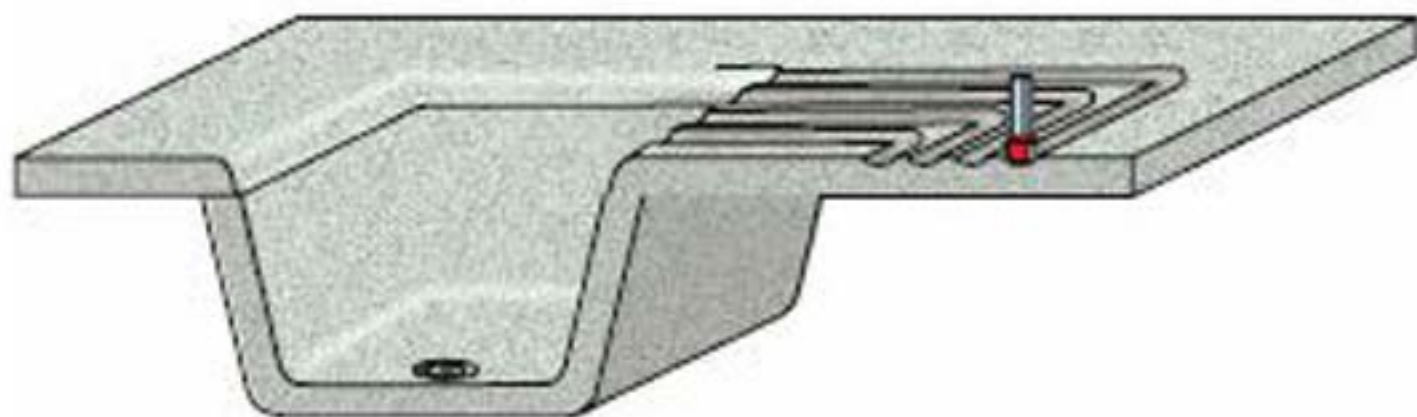


Application: Routing Grooves in Drainboard Countertops

- Specially formulated carbide is ideal for fabricating solid surface materials.
- Cuts all solid surface materials.
- Use in hand-held portable routers.



85-052



Item #	Overall Dia.(D)	Carbide Height(h)	Large Radius(R)	Shank Dia.(A)	Overall Length(H)
85-050	1/2"	1/2"	1/8"	1/2"	2-7/8"
85-052	5/8"	1/2"	1/8"	1/2"	2-7/8"
85-054	3/4"	1/2"	1/8"	1/2"	2-7/8"
85-056	1"	1/2"	1/8"	1/2"	2-7/8"