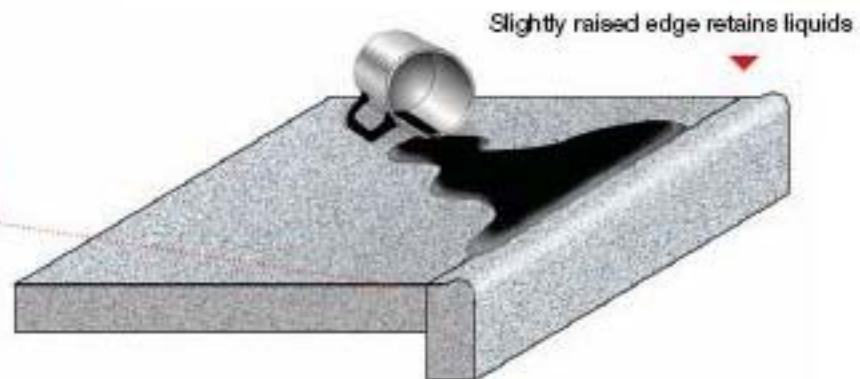
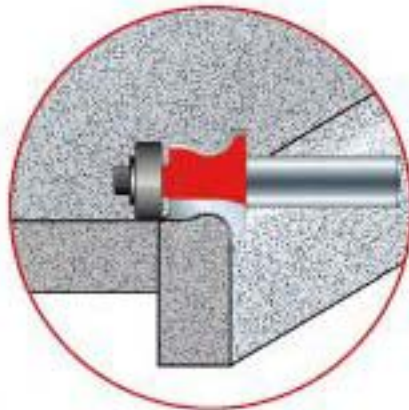
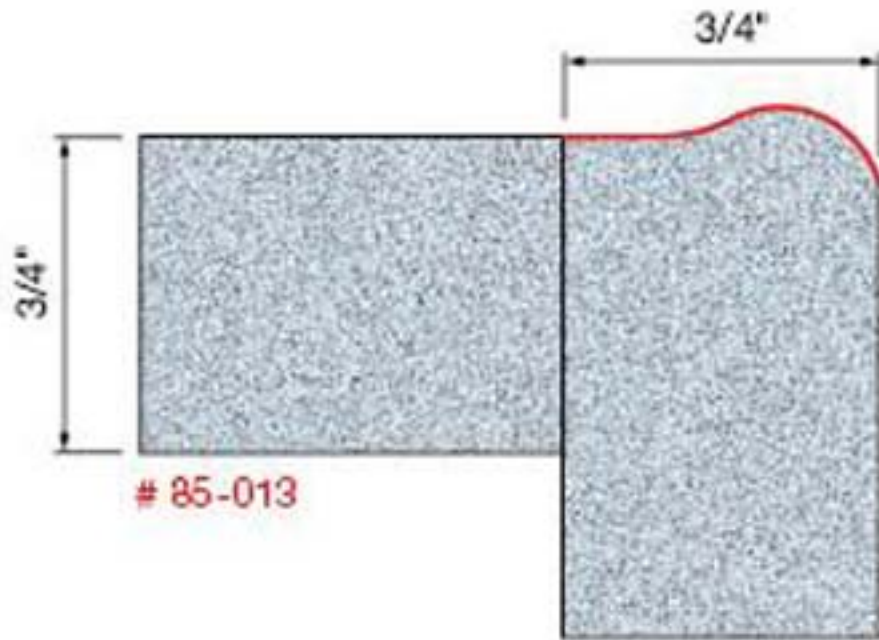
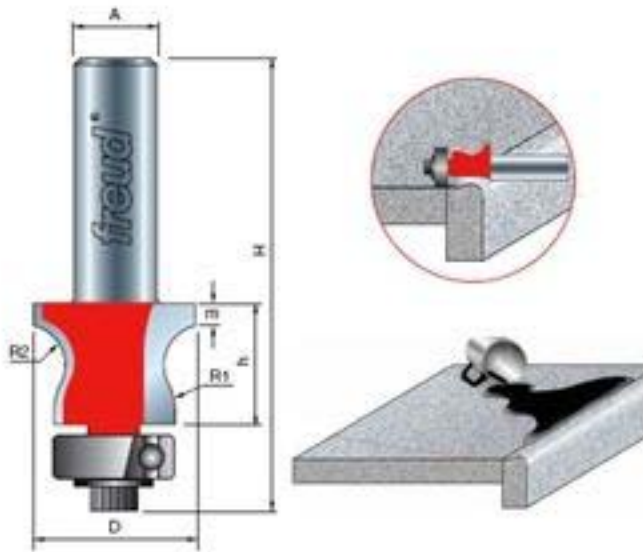


# No Drip Edge Bits

**Application: Creating a slightly raised edge on a solid surface countertop**

- Specially formulated carbide is ideal for fabricating solid surface materials.
- Cuts all solid surface materials.
- Use on hand-held portable routers.



Item #	Overall Dia.(D)	Carbide Height(h)	Minor Height(m)	Large Radiu(R1)	Small Dia.(R2)	Shank Dia.(A)	Overall Length(H)
85-011	1"	3/4"	9/64"	3/8"	1/4"	1/2"	2-13/16"
85-013	1"	1"	9/64"	3/8"	1/4"	1/2"	3-1/16"