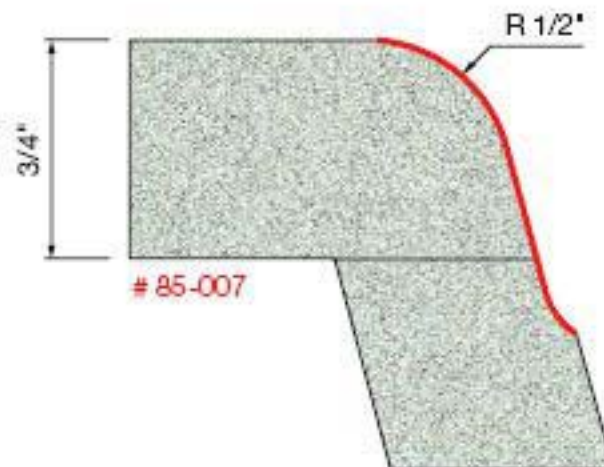
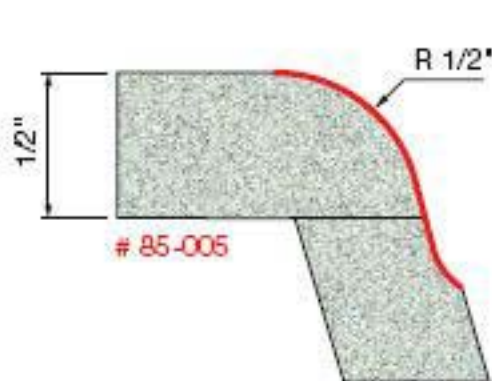
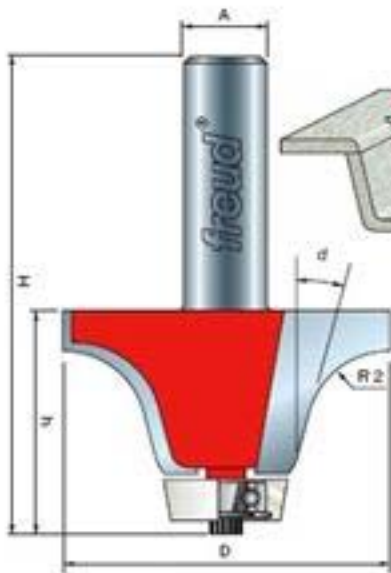


Ogee Bowl Bits

Application: Trimming joint between solid surface countertops and solid surface sink bowls with a rounded ogee design

- Specially formulated carbide is ideal for fabricating solid surface materials.
- Features non-marring synthetic bearing to protect finished edges.
- Cuts all solid surface materials.
- Use in hand-held portable routers.



Item #	For Top Thickness	Overall Dia.(D)	Carbide Height(h)	Large Radius(R)	Angle (d)	Shank Dia.(A)	Overall Length(H)
85-005	1/2"	2"	1"	1/2"	15°	1/2"	2-7/8"
85-007	3/4"	2"	1-1/4"	1/2"	15°	1/2"	3-1/8"