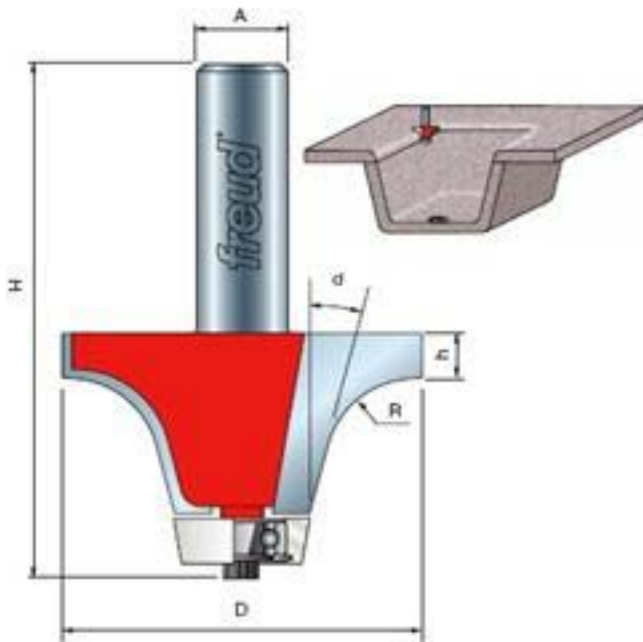
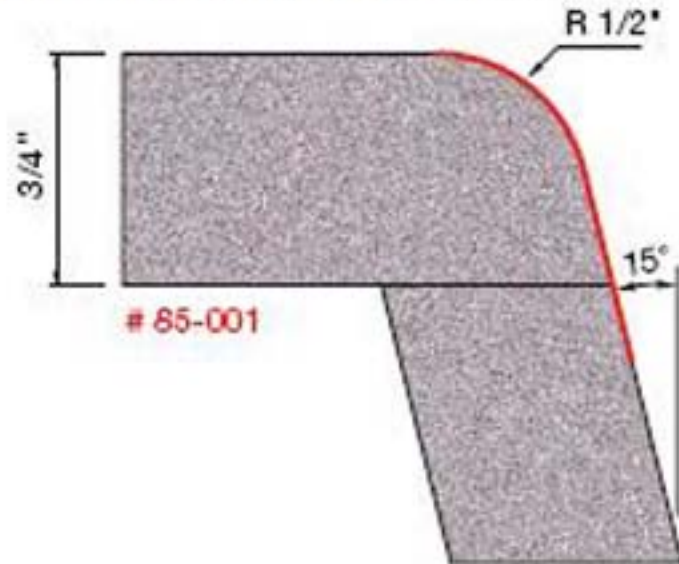


# Round Over Bowl Bits



**Application: Trimming joint between solid surface countertops and solid surface sink bowls with a smooth, rounded edge**

- Specially formulated carbide is ideal for fabricating solid surface materials.
- Features non-marring synthetic bearing to protect finished edges.
- Cuts all solid surface materials.
- Use in hand-held portable routers.



Item #	For Top Thickness	Overall Dia.(D)	Carbide Height(h)	Large Radius(R)	Angle (d)	Shank Dia.(A)	Overall Length(H)
85-001	3/4"	2"	1"	1/2"	15°	1/2"	2-7/8"
85-003	1"	2"	1-1/4"	1/2"	15°	1/2"	3-1/8"
85-140	1/2"	2-1/8"	1"	1/2"	20°	1/2"	2-13/16"
85-145	3/4"	2-1/4"	1-1/4"	1/2"	20°	1/2"	3-21/64"
85-150	1/2"	2-1/8"	7/8"	3/8"	10°	1/2"	2-3/4"
85-152	1/2"	2-1/8"	7/8"	3/8"	13°	1/2"	2-51/64"
85-155	1/2"	2-1/4"	7/8"	1/2"	10°	1/2"	2-51/64"
85-157	1/2"	2-3/8"	7/8"	1/2"	13°	1/2"	2-51/64"
85-160	3/4"	2-1/2"	1-1/8"	1/2"	10°	1/2"	3-3/64"
85-161	3/4"	2-1/2"	1-1/8"	1/2"	13°	1/2"	3-3/64"
85-164	3/4"	2-1/2"	1-1/8"	3/4"	13°	1/2"	3-3/64"
85-165	3/4"	2-9/16"	1-1/4"	3/4"	10°	1/2"	3-1/8"
85-166	1"	2-5/8"	1-1/4"	1/2"	10°	1/2"	3-1/4"