

Profiles and Counter Profiles Set



694.015

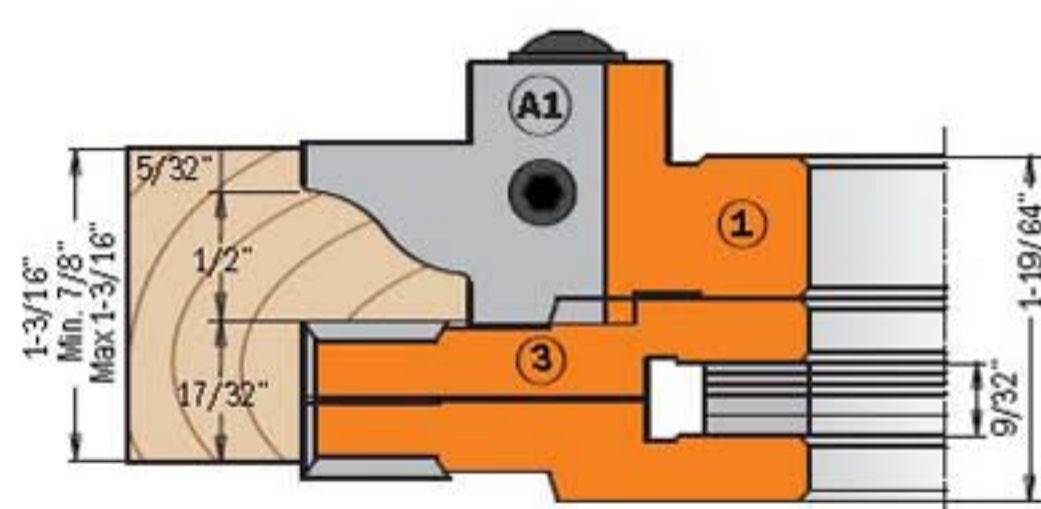
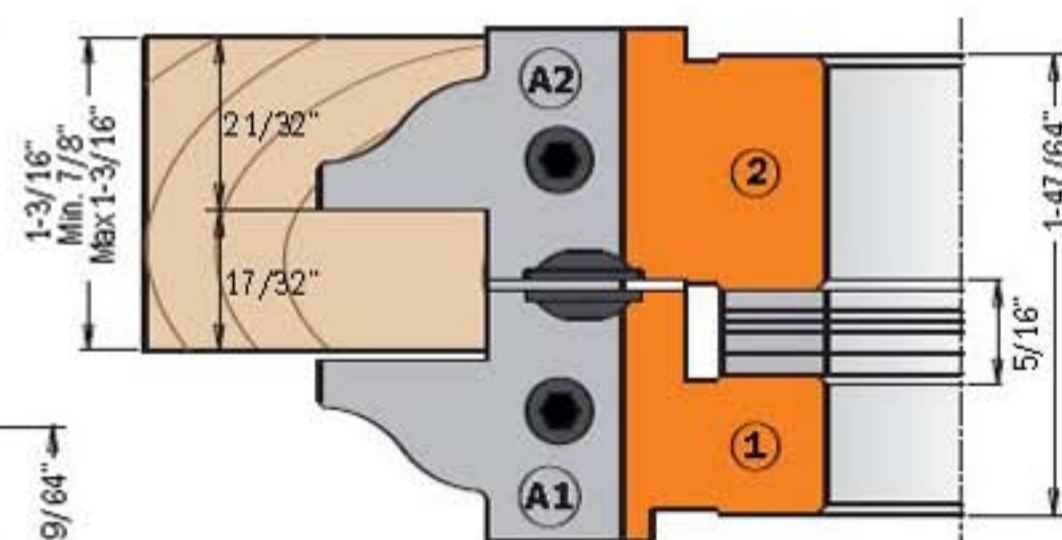
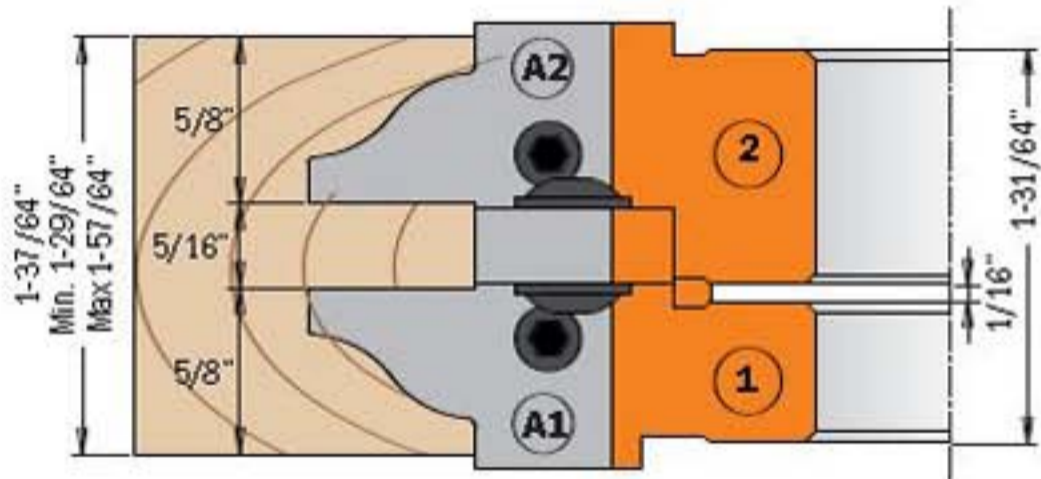
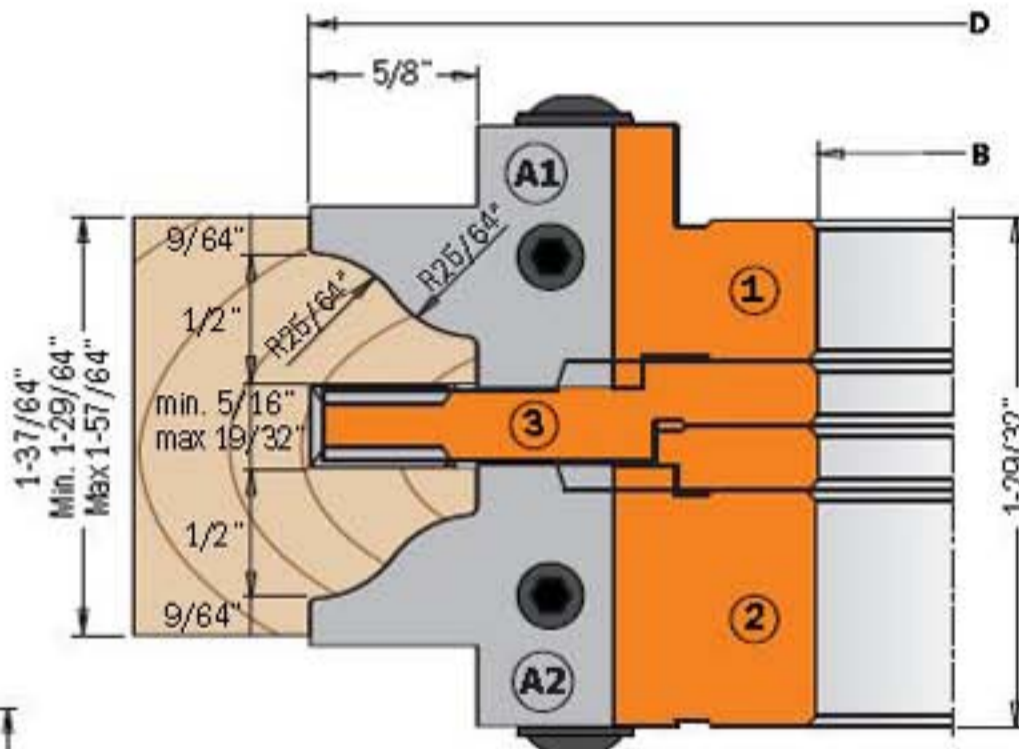


The set has been designed to produce furniture and room doors in soft and hard wood. It offers the versatility to mount five different knives producing the most popular classical profiles. The adjustable groover included in the set can also be used individually for carrying out 5/16" to 19/32" thick adjustable grooves. Perfect for solid woods and panel materials in max 48mm stock.

Technical details:

- Heavy duty aircraft aluminum body.
- Super-strength steel body for heads type (3)
- 2 solid carbide knives type (A1) 25x29,8x2mm [Z2]
- 2 solid carbide knives type (A2) 25x29,8x2mm [Z2]
- 2 solid carbide knives 7,65x12x1,5mm [Z2]
- 4 solid carbide knives 14x14x1,2mm [V4]
- 12 spacer rings from 0,1 to 3mm for heads type (1 & 2)
- 12 spacer rings from 0,1 to 2mm for heads type (3)
- Tools for manual feed MAN
- Pins for the automatic positioning of the knives

Supplied in a solid plastic box.



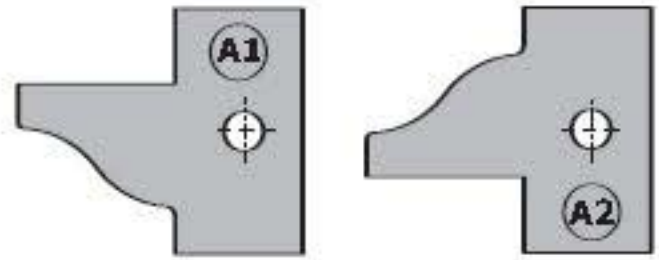
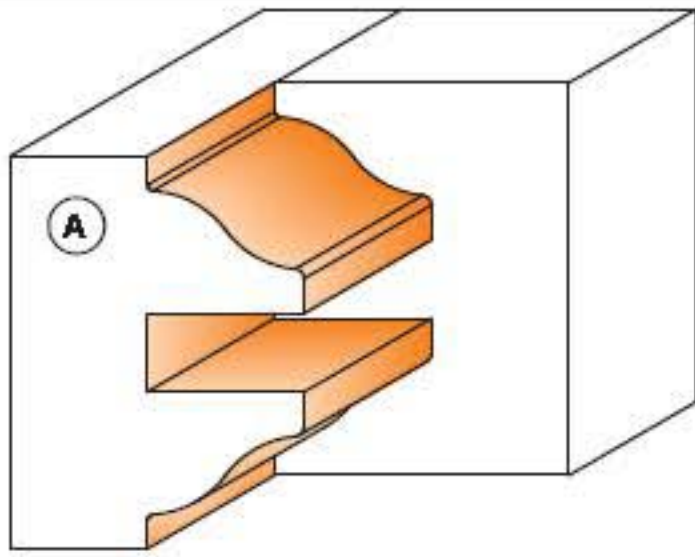
ORDER NO.	D		B		T	RPM	Spare parts	
	inches	mm	inches	mm			Spacer set without pin hole	Spacer set with pin hole
694.015.31	5-13/64	132	1-1/4	31.75	2+2	5700~9500	695.998.02	695.998.22

Spare parts

<p>Head type (1)</p> <p>695.015.A1 Pair of knives solid carbide A1 25x29,8x2mm</p> <p>695.015.B1 Pair of knives solid carbide B1 25x29,8x2mm</p> <p>695.015.C1 Pair of knives solid carbide C1 25x29,8x2mm</p> <p>695.015.D1 Pair of knives solid carbide D1 25x29,8x2mm</p> <p>695.015.E1 Pair of knives solid carbide E1 25x29,8x2mm</p> <p>695.999.23 Wedge for knives 23x11x9,5mm</p> <p>990.084.00 Screw M5x20mm</p>	<p>Head type (2)</p> <p>695.015.A2 Pair of knives solid carbide A2 25x29,8x2mm</p> <p>695.015.B2 Pair of knives solid carbide B2 25x29,8x2mm</p> <p>695.015.C2 Pair of knives solid carbide C2 25x29,8x2mm</p> <p>695.015.D2 Pair of knives solid carbide D2 25x29,8x2mm</p> <p>695.015.E2 Pair of knives solid carbide E2 25x29,8x2mm</p> <p>695.999.24 Wedge for knives 23x11x9,5mm</p> <p>990.084.00 Screws M6x20mm</p>	<p>Head type (3)</p> <p>790.076.00 Solid carbide knives 7,65x12x1,5mm</p> <p>695.999.07 Wedge for knives 6,8x11x9,5mm</p> <p>990.063.00 Screw M5x18mm</p> <p>790.140.00 Solid carbide Knives 14x14x2mm</p> <p>990.080.00 Screw M5x6,5mm</p> <p>991.061.00 Hex key T15</p> <p>991.072.00 Hex key T20</p>
--	---	--

Standard

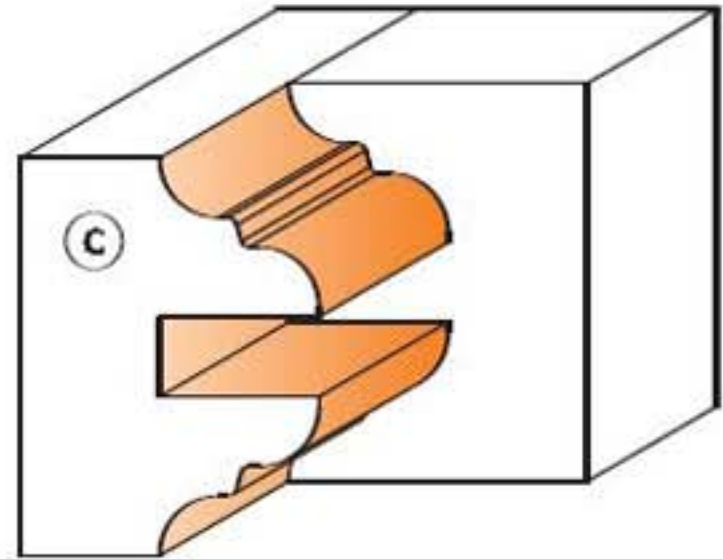
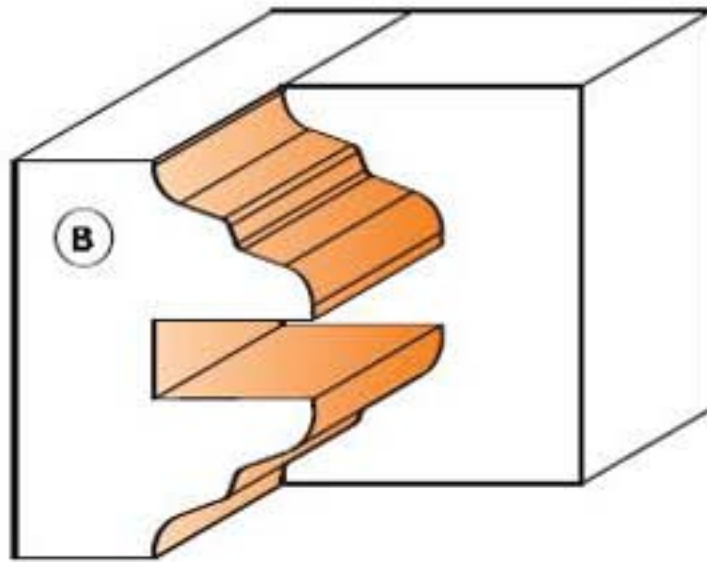
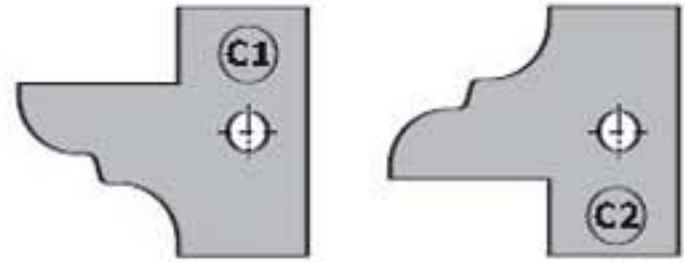
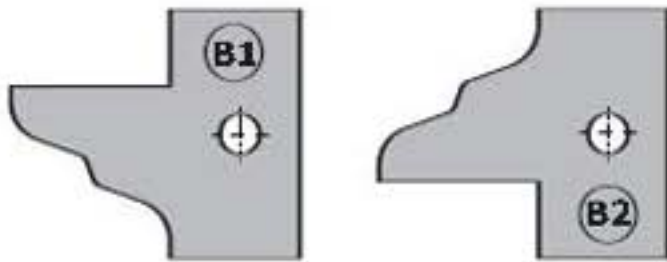
Pair knives 695.015.A1
Pair knives 695.015.A2



Optional

Pair knives 695.015.B1
Pair knives 695.015.B2

Pair knives 695.015.C1
Pair knives 695.015.C2



Pair knives 695.015.D1
Pair knives 695.015.D2

Pair knives 695.015.E1
Pair knives 695.015.E2

