



694.014



This cutter head represents the union of two cutters in one tool and it is the ideal tool head for the construction of furniture doors and drawers. By simply adjusting the height of the head, you can cut two perfectly joining profiles with no wasted time or effort. There is no need to move the fence or change the tool! Save money and have a more efficient production by investing in a single cutter head to produce stiles and rails. This is a perfect tool for solid wood and veneer panels for materials between 22mm and 25mm.

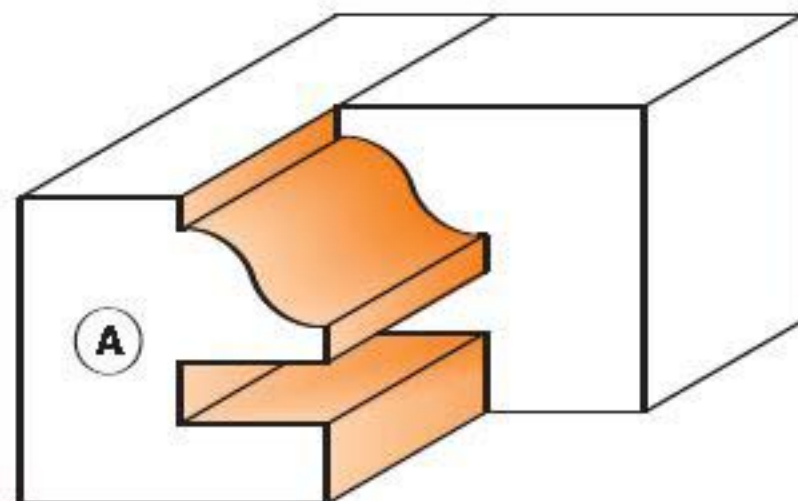
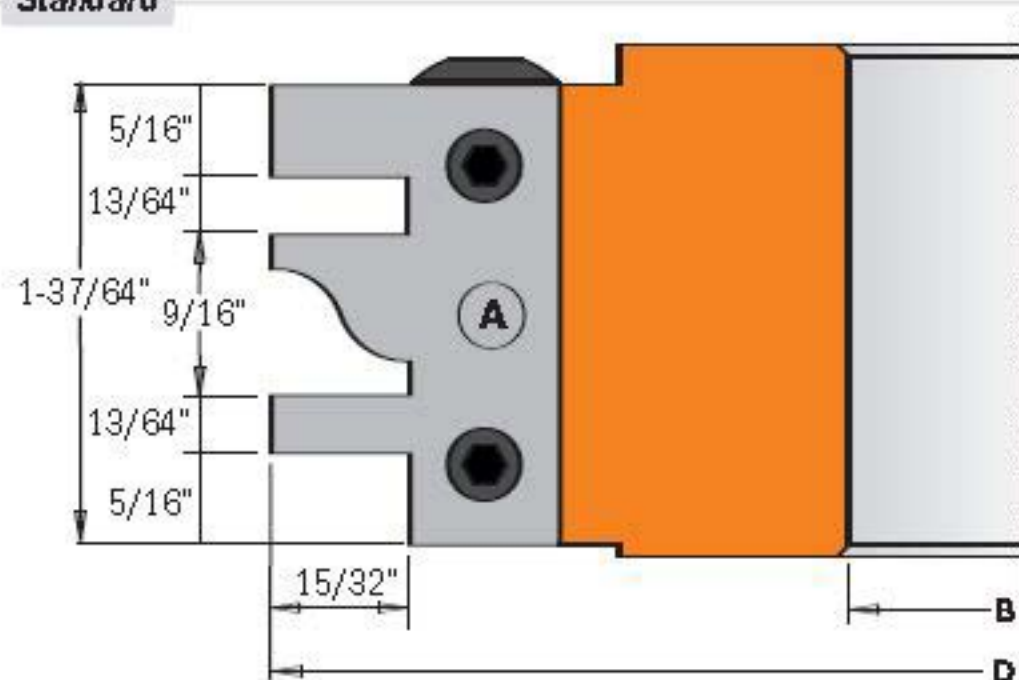
Technical details:

- Heavy duty aircraft aluminum body
- 2 solid carbide Knives type (A) 40x24,5x2mm [Z2]
- Tools for manual feed MAN
- Pins for the automatic positioning of the knives

Supplied in a solid plastic box.

Standard

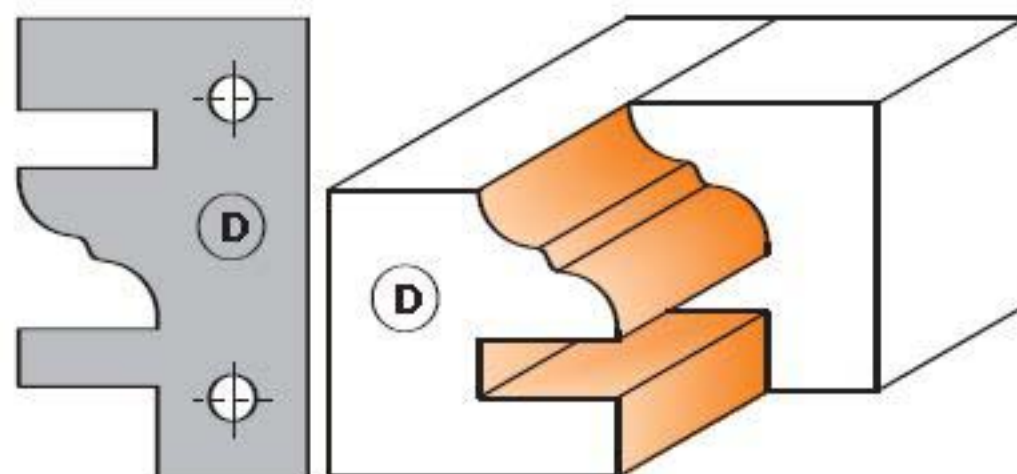
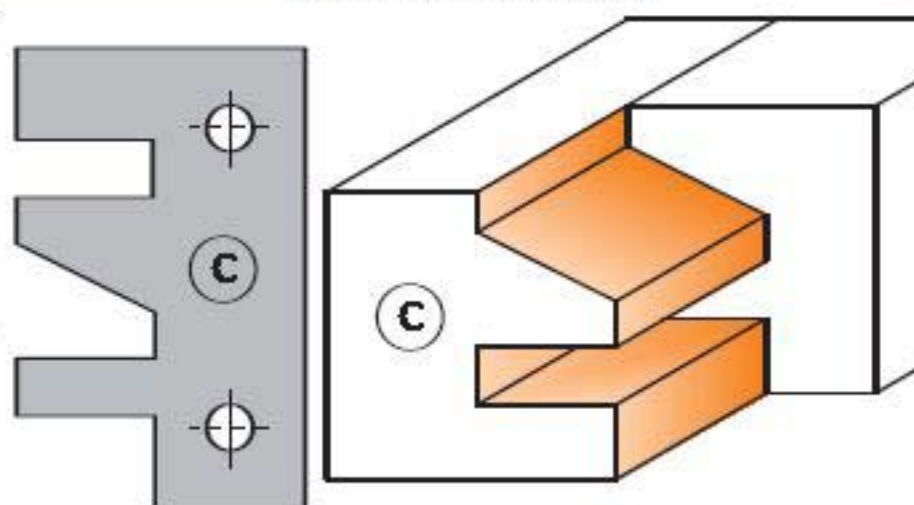
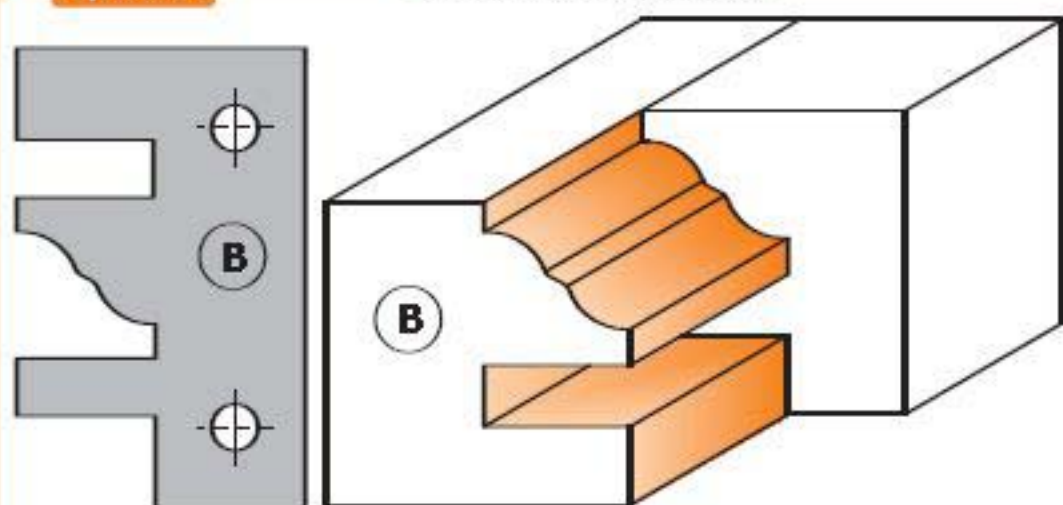
Pair knives 695.014A



Optional

Pair knives 695.014B

Pair knives 695.014C



Drawings are 1:1 scale

Pair knives 695.014D