

694.011



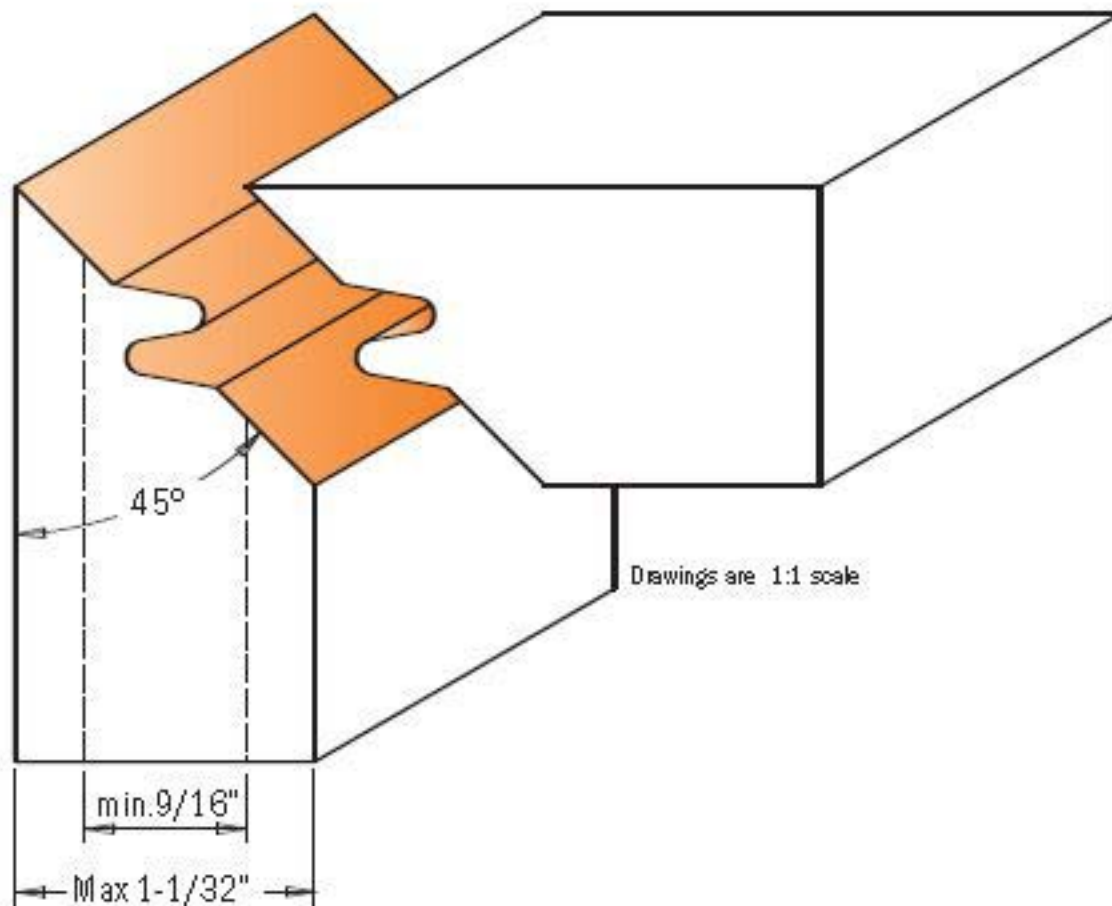
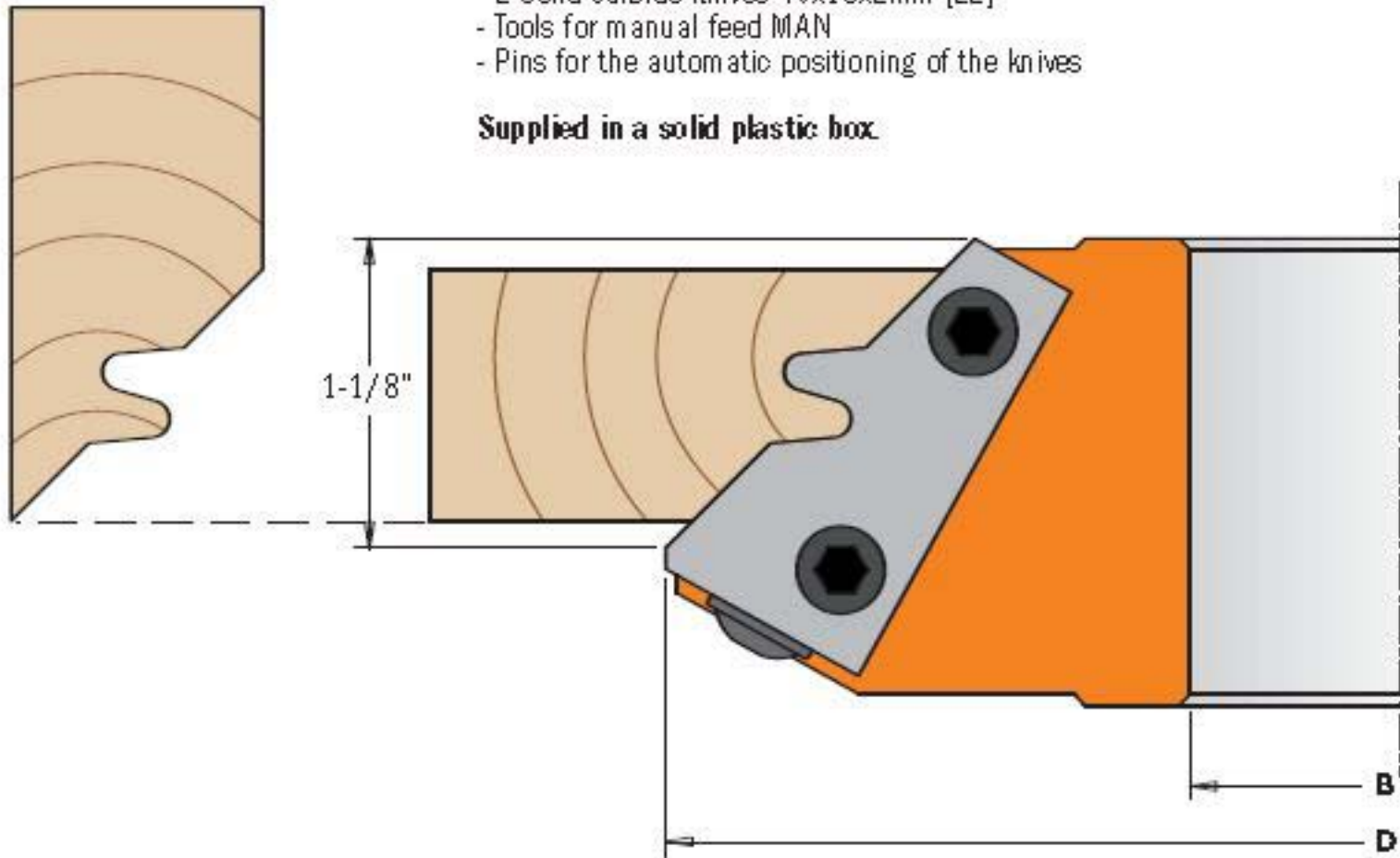
CMT lock miter cutter heads bits are ideal for milling miter joints in max 1" stock. The quick and easy way to accurately create boxes, stretcher bars, frames and any assortment of right angle or parallel joint projects. The lock miter cutter head produces perfectly fitting 45 degree miter joints in two steps. First, make the cut with the workpiece in the horizontal position then make the cut with the workpiece in the vertical position. By cutting boards in the horizontal position - first with the inside face down and then with the inside face up - you can mill rock solid parallel glue joints.

Excellent results in most materials but ideal in solid wood and in coated and uncoated man made materials.

Technical details:

- Heavy duty aircraft aluminum body
- 2 solid carbide knives 40x18x2mm [Z2]
- Tools for manual feed MAN
- Pins for the automatic positioning of the knives

Supplied in a solid plastic box.



Drawings are 1:1 scale

