



# 694.007



This cutter head is the perfect tool to make furniture, doors, and drawer fronts that go from simple to elegant by giving them a final touch with a CMT cove bit. Use together with round over profile and construct perfectly fitting rule joints that are ideal for drop leaf counter and table tops. It supports three different knives making roundover and cove profiles radius 25/64", 15/32" and 19/32". To be used in your spindle moulder machines, double-end tenoners and shapers machines. Perfect in all materials, but ideal on solid woods and panel materials.

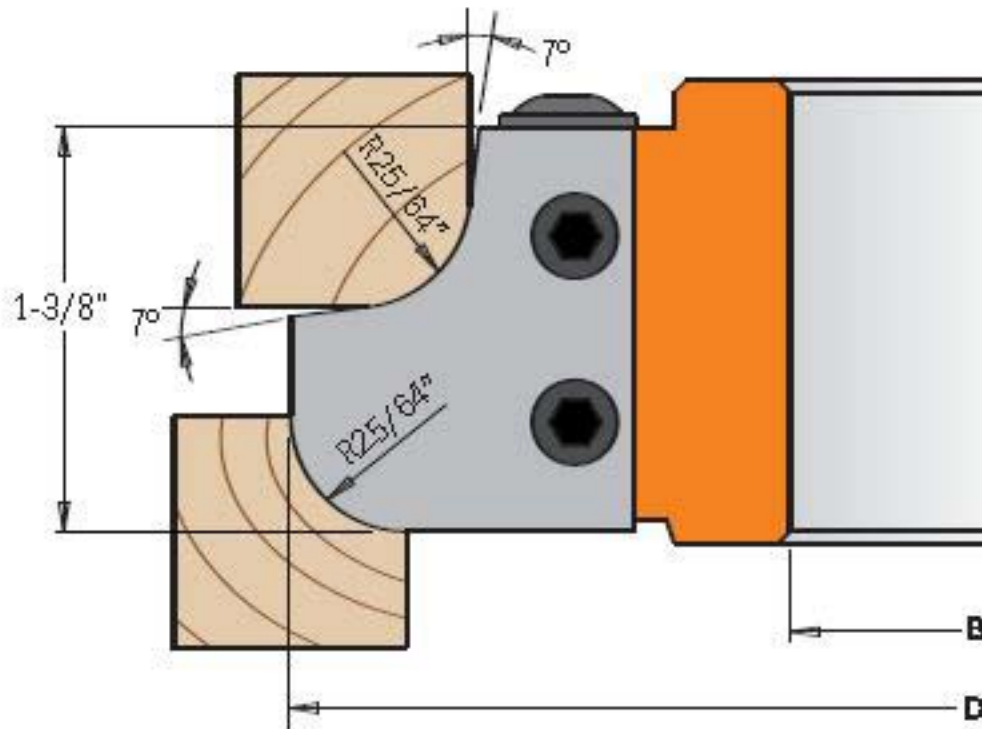
### Technical details:

- Heavy duty aircraft aluminum body.
- 2 solid carbide knives radius 25/64" (34,8x29,3x2mm) [Z2]
- Tools for manual feed MAN
- Pins for the automatic positioning of the knives

Supplied in a solid plastic box.

### Standard

Pair knives 695.007.10



### Optional

Pair knives 695.007.12

Pair knives 695.007.15

