



694.004



Innovative cutter heads supporting two different knives making four radius roundover profiles. The standard cutter head is delivered with knives radius 19/32" and 25/32"; one more knives set is available to make radius 15/32"-23/32". Excellent results in most materials but ideal on solid wood and coated and uncoated man made materials.

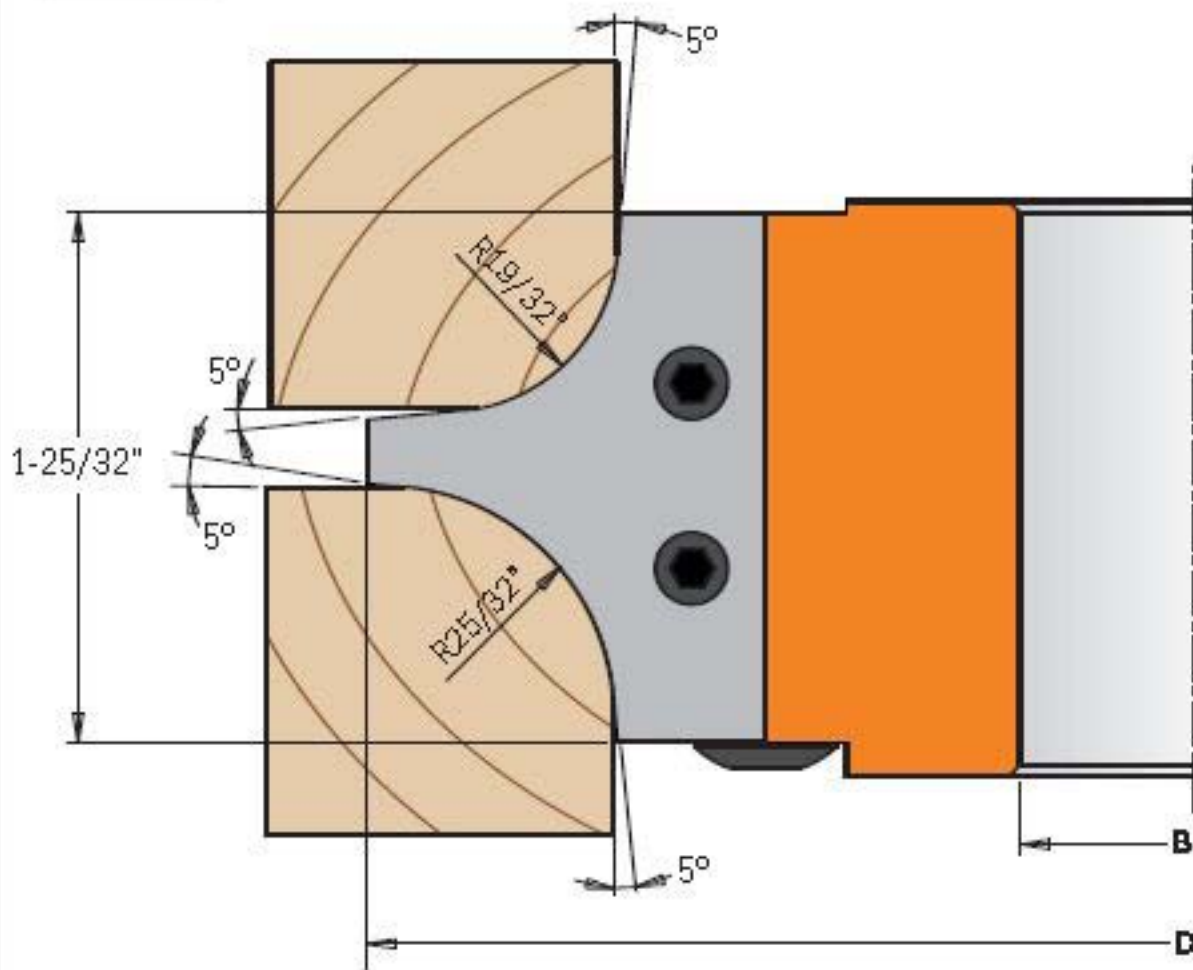
Technical details:

- Heavy duty aircraft aluminum body.
- 2 solid carbide knives radius 19/32"-25/32" (45x34,5x2mm) [Z2]
- Tools for manual feed MAN
- Pins for the automatic positioning of the knives

Supplied in a solid plastic box.

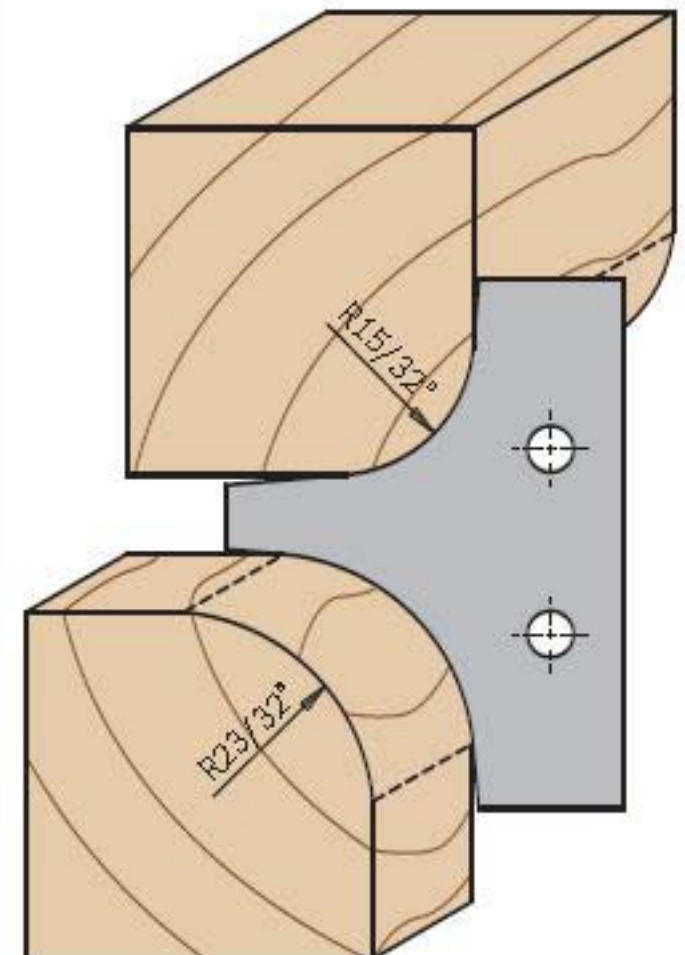
Standard

Pair knives 695.004.15



Optional

Pair knives 695.004.12



Drawings are 1:1 scale