



## 694.003



Innovative cutter heads supporting three different knives making six radius roundover profiles. The standard cutter heads is delivered with knives radius  $3/16''$  and  $25/64''$ ; two more knives sets are available to make radius  $5/32''$ - $5/16''$  and  $1/8''$ - $15/64''$ . Perfect in all materials, but ideal on solid woods and panel materials.

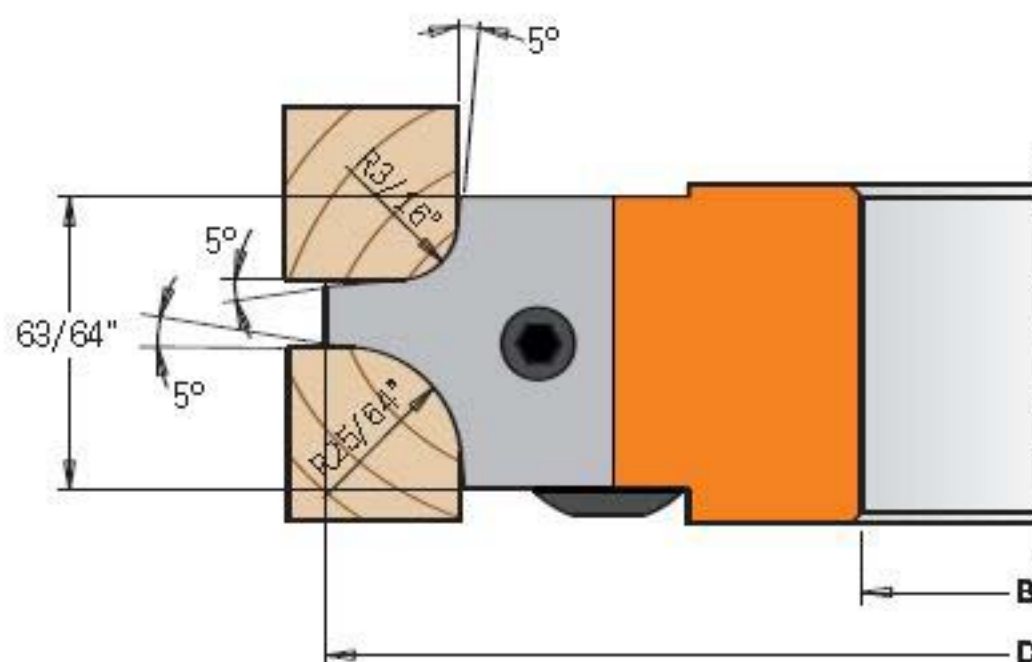
### Technical details:

- Heavy duty aircraft aluminum body.
- 2 solid carbide knives radius  $3/16''$ - $25/64''$  (25x24,8x2mm) [Z2]
- Tools for manual feed MAN
- Pins for the automatic positioning of the knives

Supplied in a solid plastic box.

### Standard

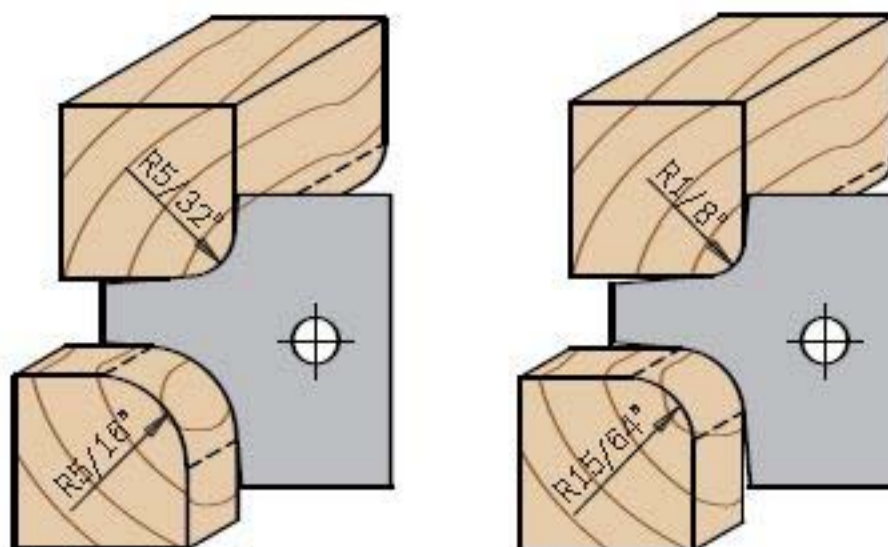
Pair knives 695.003.05



### Optional

Pair knives 695.003.04

Pair knives 695.003.03



Drawings are 1:1 scale