

45° Chamfer Cutter Head



694.002

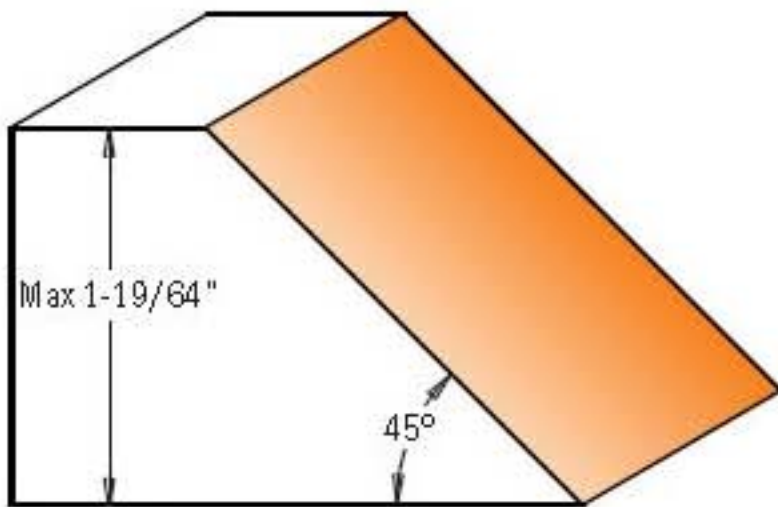
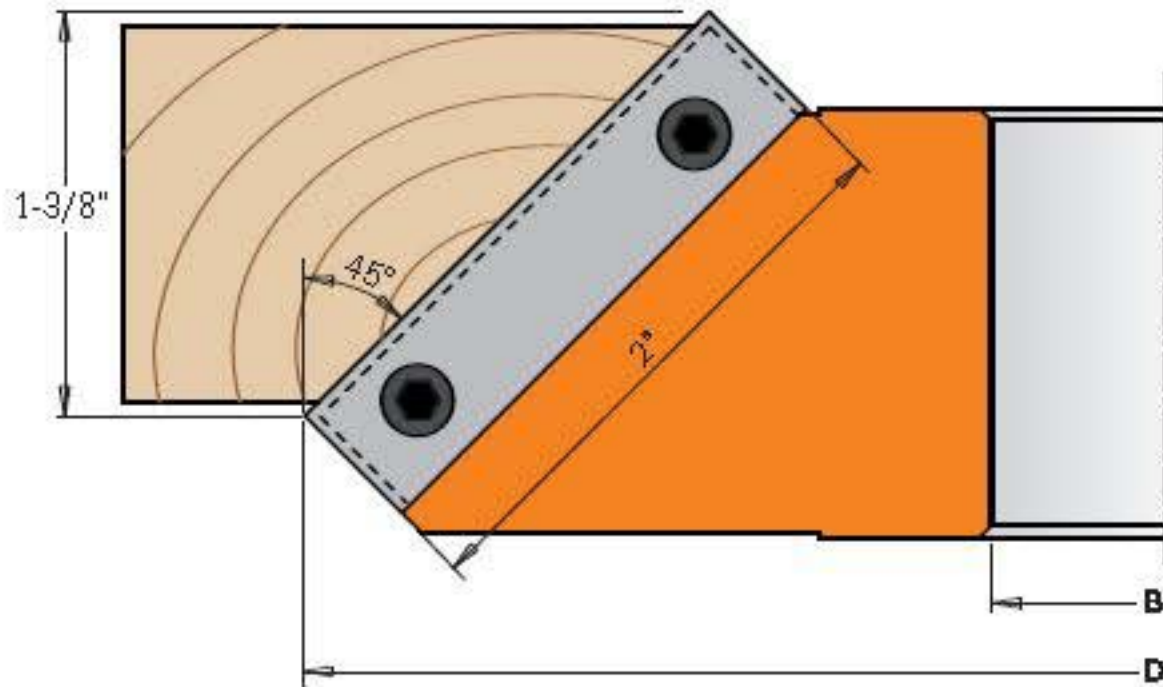
INSERT CARBIDE
MAN
Z2

CMT Chamfer cutter heads cut clean, accurate bevels, chamfers and joints that are great for edge work. Excellent results in most materials but ideal on solid wood, veneer board and laminated materials.

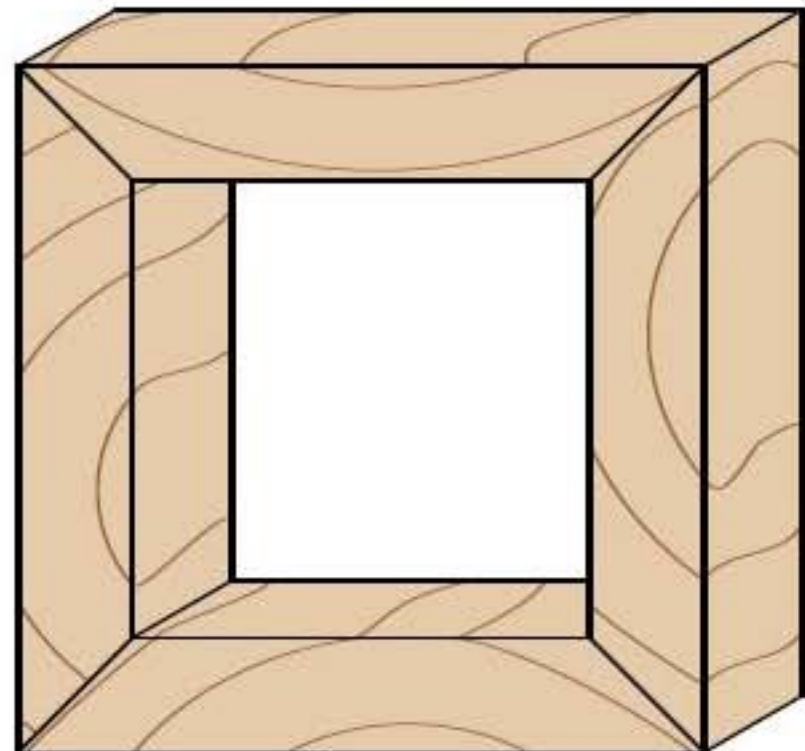
Technical details:

- Heavy duty aircraft aluminum body
- 2 solid carbide Knives 50x12x1,5mm [Z2]
- Tools for manual feed MAN
- Pins for the automatic positioning of the knives.

Supplied in a solid plastic box.



Drawings are 1:1 scale



Spare parts

ORDER NO.	D		B		T	RPM	Spare parts			
	inches	mm	inches	mm			Solid carbide knives	Wedge for knives	Screw	Hex key
694.002.31	5-29/32	150	1-1/4	31.75	2	5100~8800	790.500.00	695.999.41	990.086.00	991.064.00