

3 piece Adjustable Grooving Set



694.001

INSERT CARBIDE

MAN

Z4

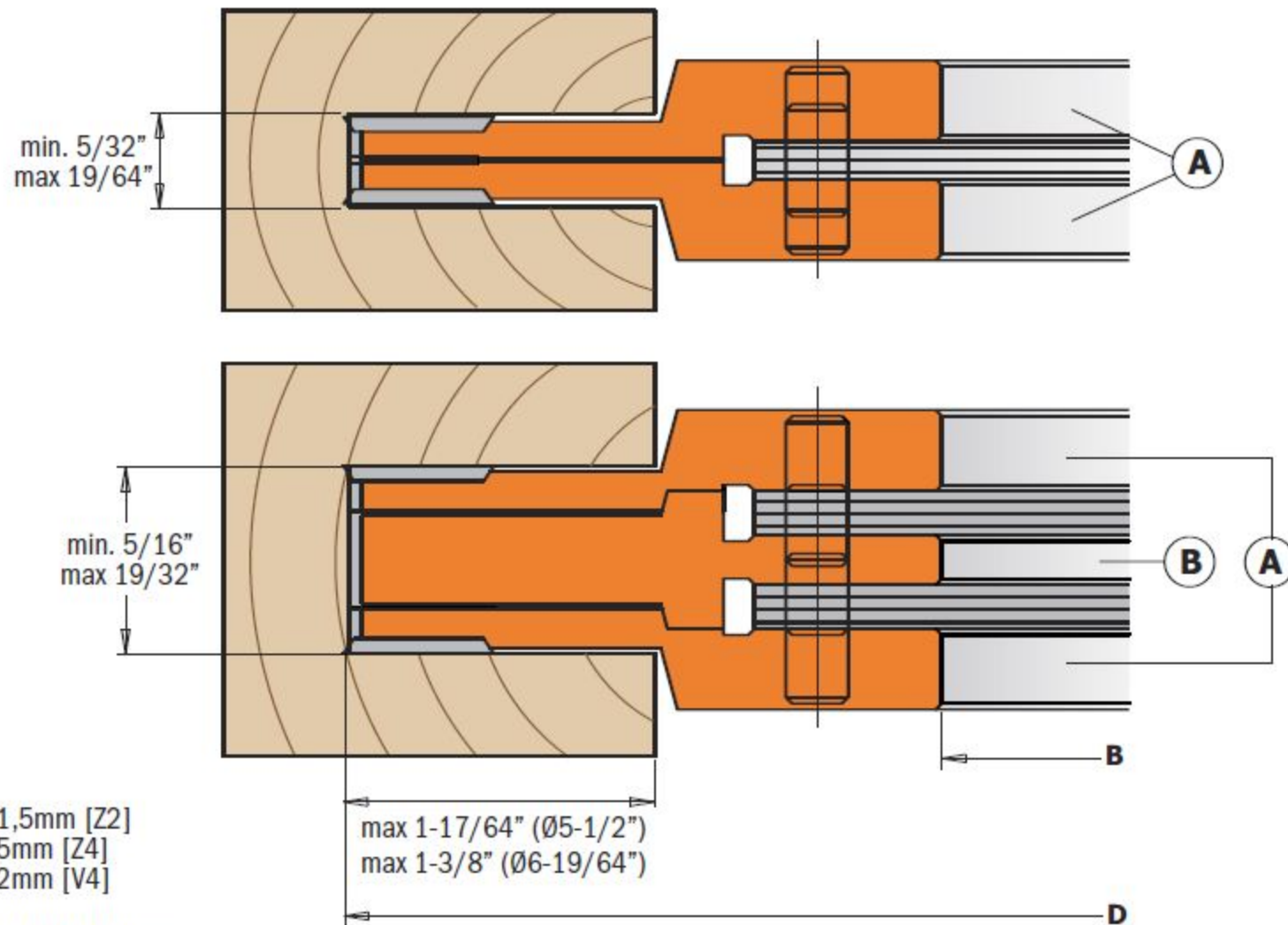
V4



These cutter heads are the ideal tools to create precision slots and grooves in materials from 5/32" to 19/32" in depth by using the CMT 3 piece adjustable grooving set. This set includes:

- 2 cutter heads type (A) Z4 + V4
- 1 cutter head type (B) Z2
- 12 spacer rings from 0,1 to 2mm

Perfect grooving in all materials, but ideal on solid woods, plywood and laminated panels.



Technical details:

- Super-strength steel body
- 2 solid carbide Knives 7,65x12x1,5mm [Z2]
- 4 solid carbide Knives 18x18x1,5mm [Z4]
- 4 solid carbide Knives 14x14x1,2mm [V4]
- Tools for manual feed MAN
- Pins for the automatic positioning of the knives