

663.201.11

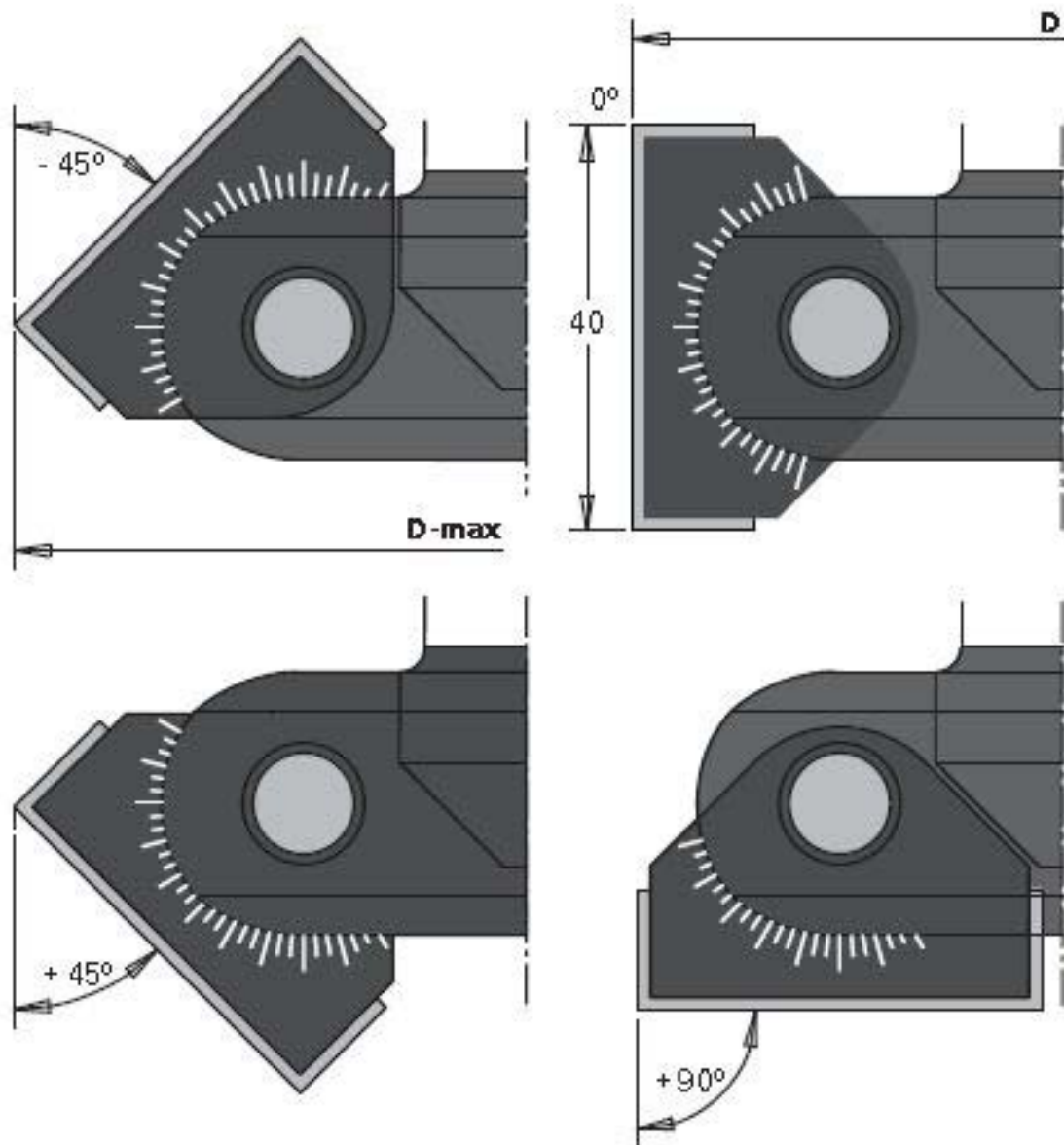
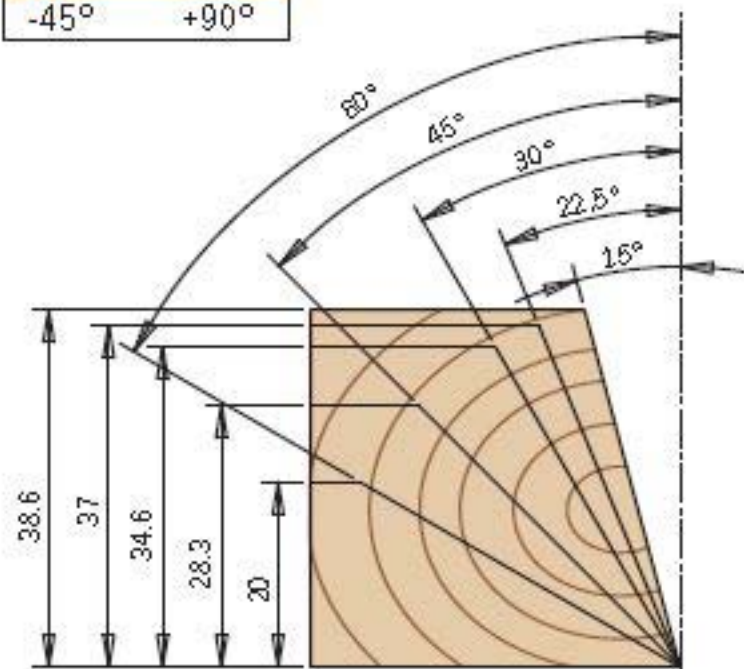


ORDER NO.	D	D_Max 45°	I	A	L	S
Right-hand rotation	inches	mm	inches		inches	
663.201.11	3-11/32	85	4-1/32	0°-45°	3-5/8	20mm

Spare parts

663.999.01	Wedge 38x6x12mm
790.400.00	Knife 40x12x1,5mm
990.087.00	Screw STEI M6x8mm (threaded pin 4x2mm)
991.067.00	Hex key 3mm
990.099.00	Screw TCEI M8x25mm
990.020.00	Nut M8 (4mm)
991.081.00	Hex key "T" 4mm

Inclination	
min.	max.
-45°	+90°



TECHNICAL DETAILS: Tool body in steel, two TC reversible knives in swiveling blade carriers. Cutting on periphery and both sides. Swiveling range towards top 0-45°, toward bottom 0-90°, infinitely variable adjustment according to precise scale. With positive stops at 7,5° through adjustment aide. No displacement of adjusted beveling angle when replacing blades. Right rotation.

APPLICATION: for jointing, rebating and chamfering of solid wood and wooden boards. Suitable for CNC router machines and stationary router machine with manual or mechanical feed.