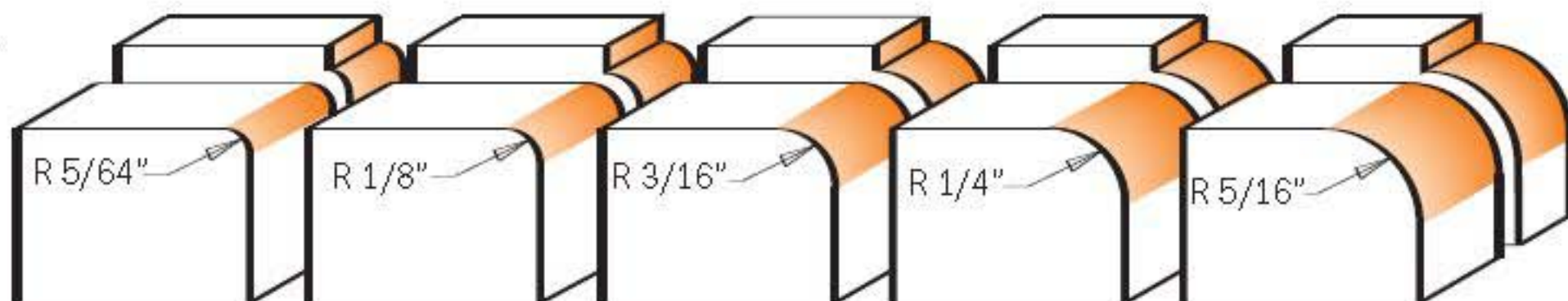


# Insert Carbide Roundover Bits



## 661

Best for use with portable routers, our double-edged roundover bits are great for any wood or wood product. Use the 1/16" radius as a durable, efficient laminate trimmer tool!



Drawings are 1:1 scale

ORDER NO. 1/4" shank	ORDER NO. 1/2" shank	R		D inches	I inches	L inches	Spare parts			
		inches	mm				Knives	Screw Torx	Key Torx	Bearing
661.021.11		5/64	2	57/64	49/64	2-33/64	790.020.00	990.076.00	991.061.00	791.007.00
661.031.11		1/8	3	31/32	49/64	2-33/64	790.030.00	990.076.00	991.061.00	791.007.00
661.051.11		3/16	5	1-1/8	49/64	2-33/64	790.050.00	990.076.00	991.061.00	791.007.00
661.064.11		1/4	6.35	1-1/8	15/16	2-41/64	790.064.00	990.076.00	991.061.00	791.006.00
	661.581.11	5/16	8	1-1/4	15/16	3-1/32	790.080.00	990.076.00	991.061.00	791.006.00

### Spare parts

990.400.00 Washer 3.2/7mm fro screw M4  
 990.051.00 Screw TCEI M3x6mm for bearing Ø16mm  
 991.062.00 2.5mm hex key

990.410.00 Washer 4.2/9mm fro screw M4  
 990.052.00 Screw TCEI M4x6mm for bearing  
 991.067.00 3mm hex key