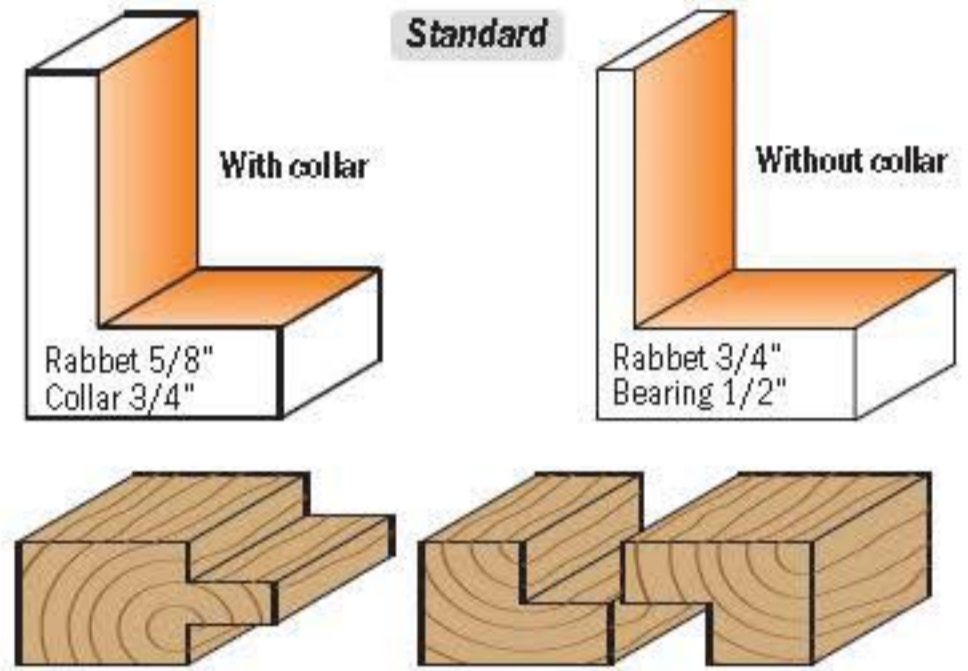
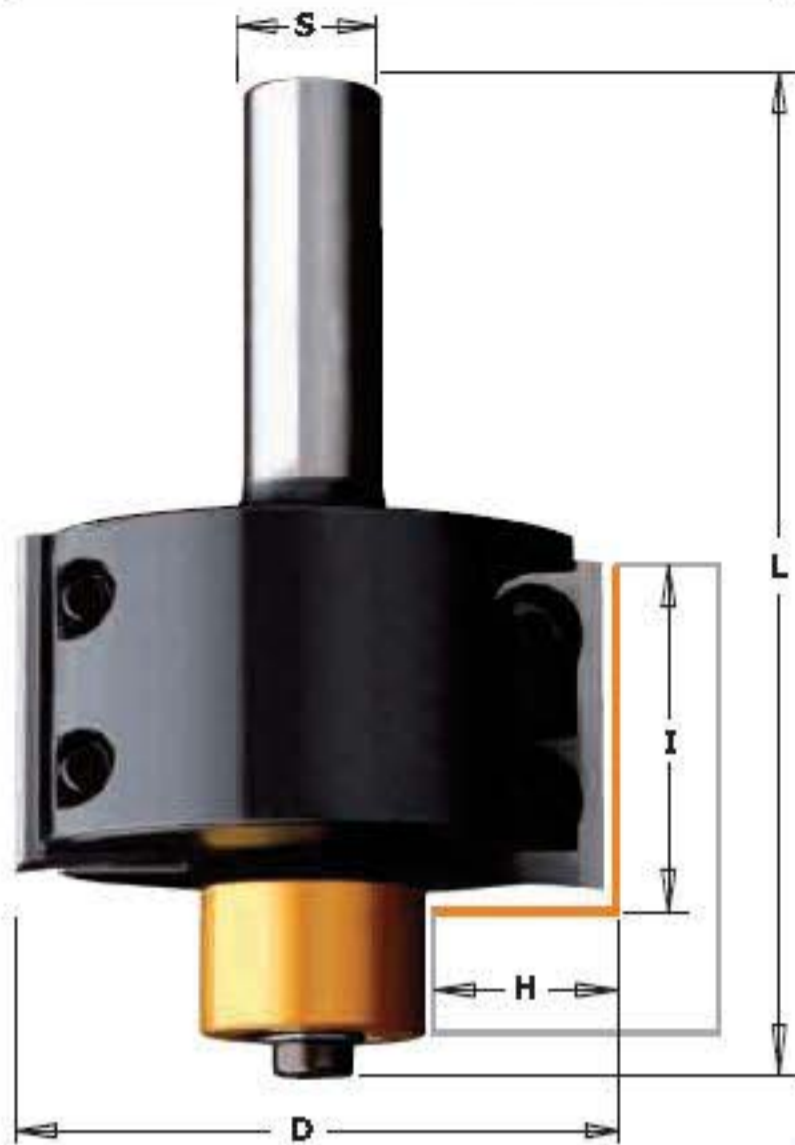


Insert Carbide Grand Rabbeting Bit

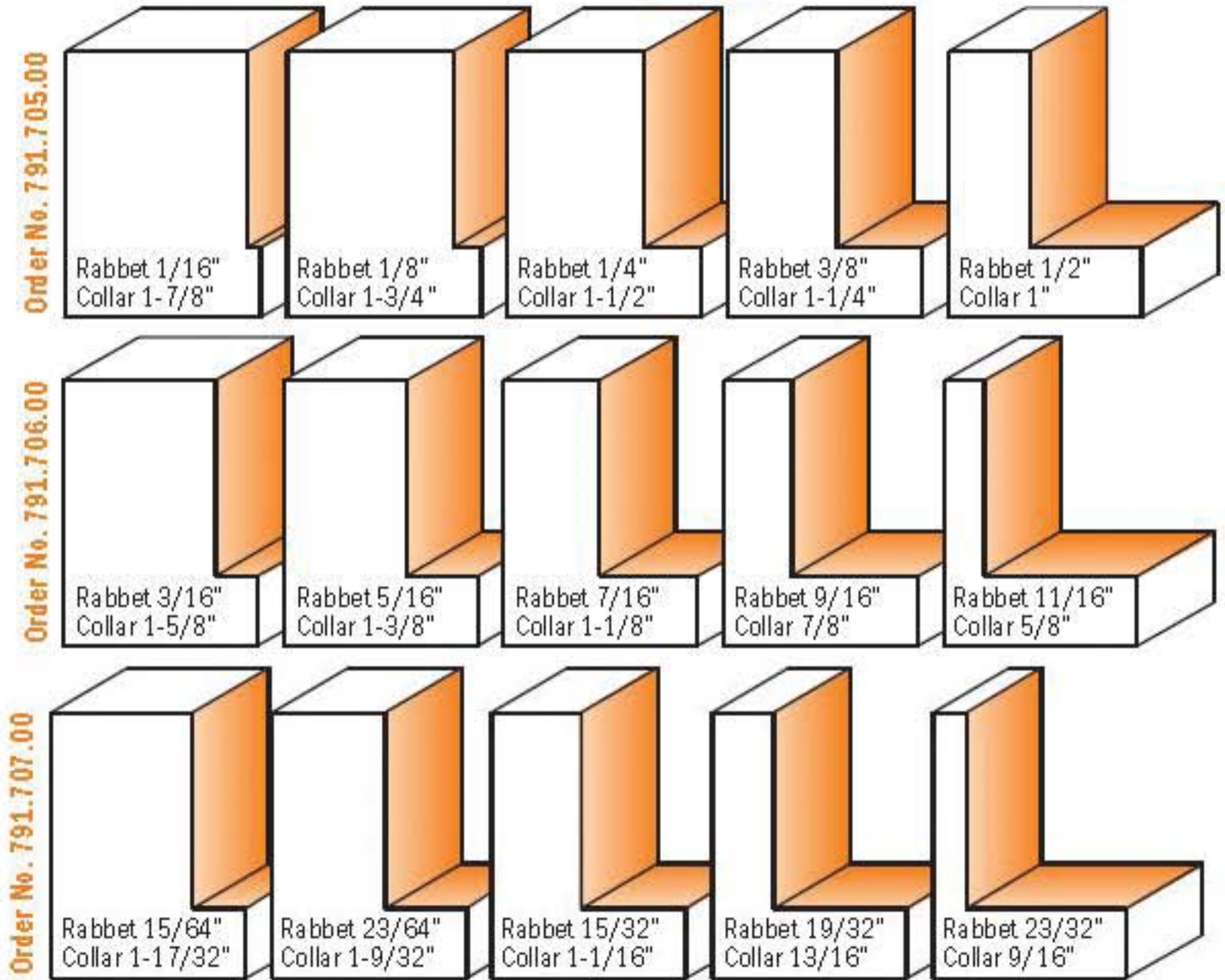
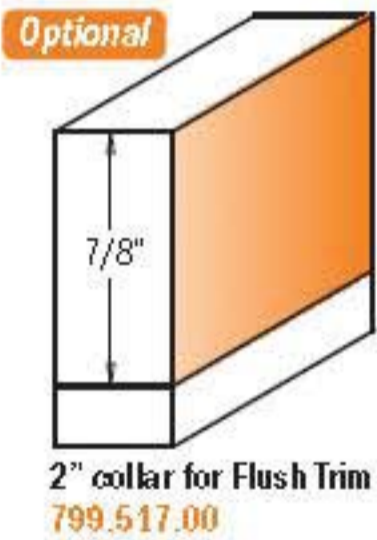


660.9

Primarily for use with portable routers, these rabbeting bits can be used with various bearings to produce a wide range of cut depths. Inserts are sharpened on all 4 sides.



Optional



Drawings are 1:1 scale

ORDER NO. 1/2" shank	H		D inches	I inches	L inches	Spare parts			
	inches	mm				Knives	Screw Torx	Key Torx	Bearing
660.991.11	5/8	15.87	2	1-1/8	3-7/16	790.283.00	990.075.00	991.061.00	791.010.00

Spare parts	541.514.00	Stop collar Ø6,4mm	Optional	799.517.00	Collar for flush trim Ø50,8mm
	799.503.00	Bushings Ø19,05mm		791.705.00	5 pcs. collar set (1,6-3,2-6,35-9,5-12,7mm rabbets)
	990.410.00	Shield Ø4,2/Ø9 for screw M4		791.706.00	5 pcs. collar set (4,7-8-11,1-14,3-17,5mm rabbets)
	990.052.00	Screw TCEI M4x6mm		791.707.00	5 pcs. collar set (6-9,1-11,9-15-18,2mm rabbets)
	991.067.00	Hex key 3mm			