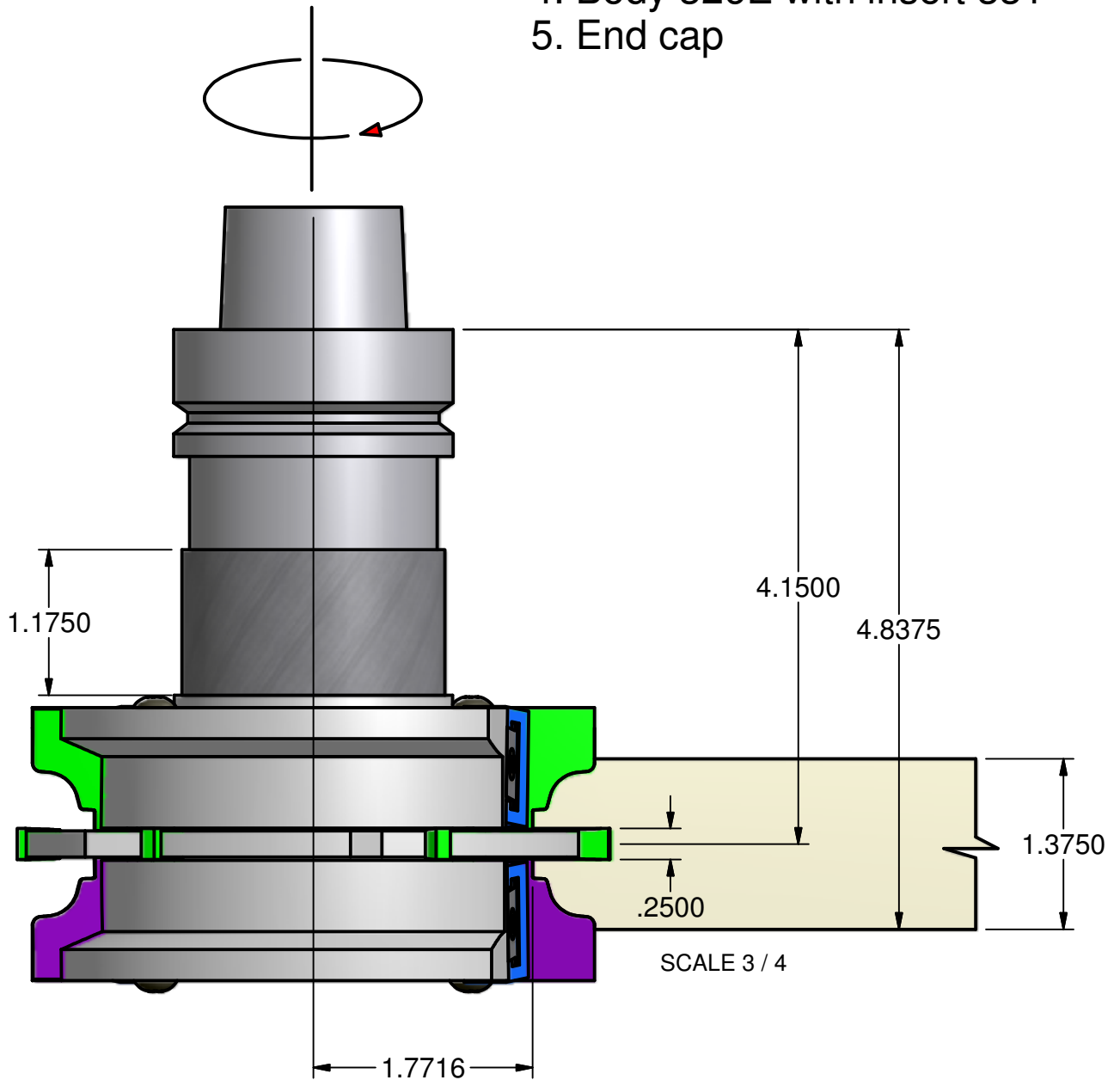


GEOMETRY
2 Wing(s)
10° Hook
5° Shear

Setup for profile A 1.375" wood

The minor diameter is 90mm

1. Spacer 1.175" thick
2. Body 326A with insert 330
3. Brazed groover body 334
4. Body 326E with insert 331
5. End cap



THIS DRAWING IS PROPERTY OF EW TOOLING, INC. AND MUST NOT BE USED IN ANY WAY DETRIMENTAL TO OUR INTERESTS

PARTS LIST DRAWING

E.W. TOOLING, INC.
Cutting tools for the woodworking industry

Originate: 12/09

Last edit: 12/14/09

EW P/N: 182-326

Tips: Carbide inserts

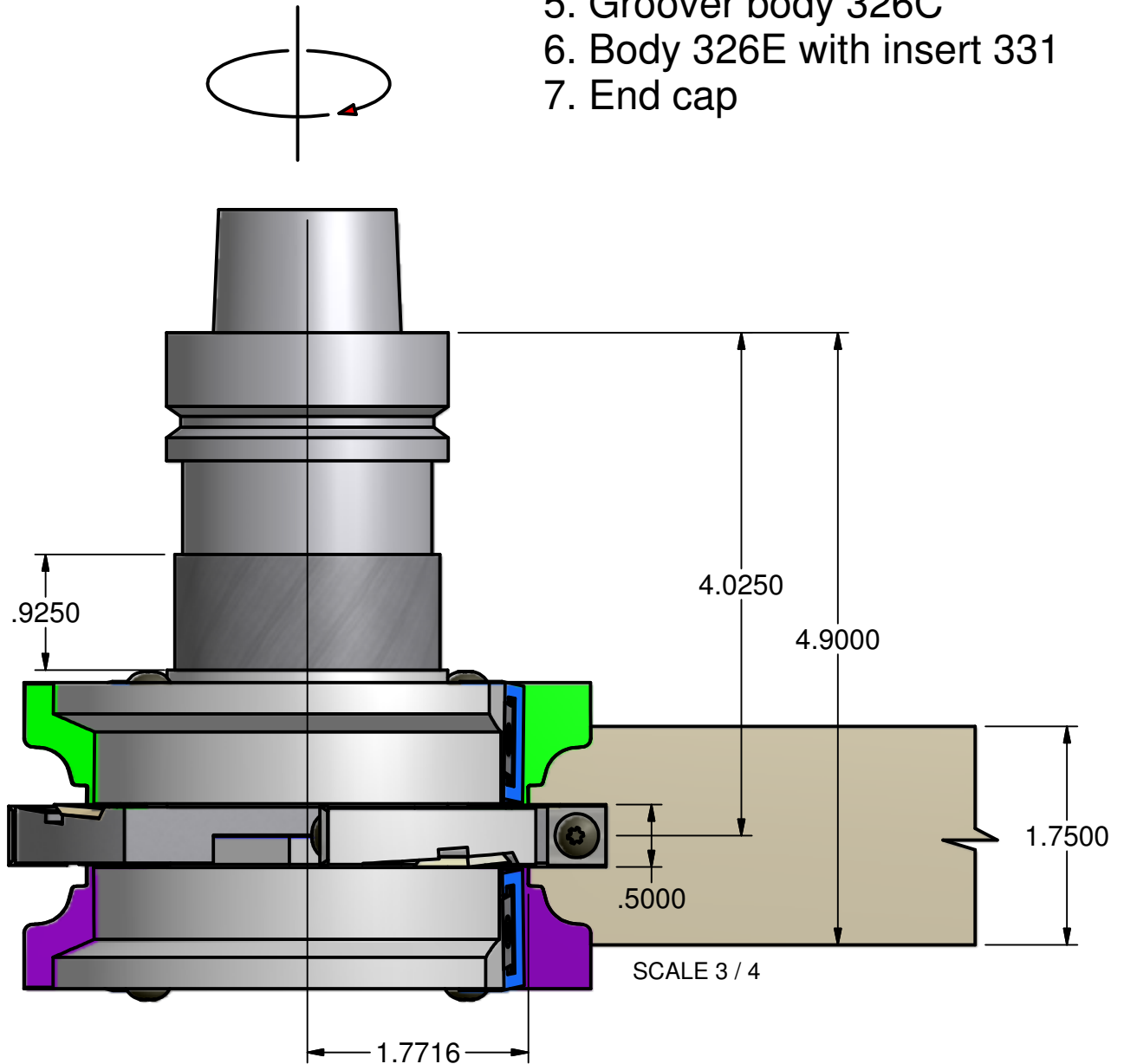
Cust P/N: Profile A 1.375" wood

GEOMETRY
2 Wing(s)
10° Hook
5° Shear

Setup for profile A 1.75" wood

The minor diameter is 90mm

1. Spacer .925" thick
2. Body 326A with insert 330
3. Groover body 326B
4. 1.25 x .010 shim
5. Groover body 326C
6. Body 326E with insert 331
7. End cap



THIS DRAWING IS PROPERTY OF EW TOOLING, INC. AND MUST NOT BE USED IN ANY WAY DETRIMENTAL TO OUR INTERESTS

PARTS LIST DRAWING

E.W. TOOLING, INC.
Cutting tools for the woodworking industry

Originate: 12/09

Last edit: 12/14/09

EW P/N: 182-326

Tips: Carbide inserts

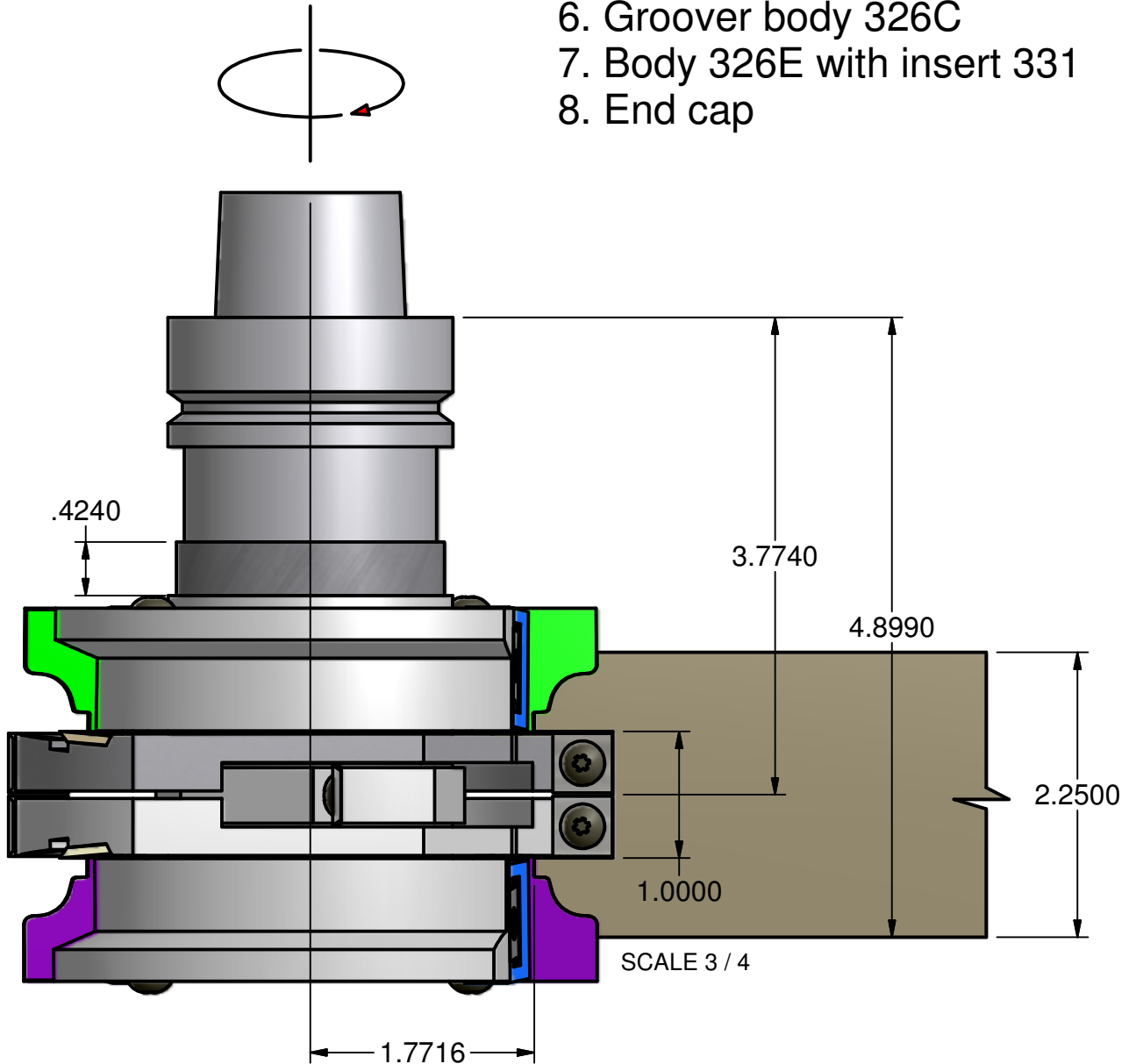
Cust P/N: Profile A 1.75" wood

GEOMETRY	
2	Wing(s)
10°	Hook
5°	Shear

Setup for profile A 2.25" wood

The minor diameter is 90mm

1. Spacer .424" thick
2. Body 326A with insert 330
3. Groover body 326B
4. 1.25 x .010 shim
5. Groover body 326D
6. Groover body 326C
7. Body 326E with insert 331
8. End cap



THIS DRAWING IS PROPERTY OF EW TOOLING, INC. AND MUST NOT BE USED IN ANY WAY DETRIMENTAL TO OUR INTERESTS

PARTS LIST DRAWING

E.W. TOOLING, INC.
Cutting tools for the woodworking industry

Originate: 12/09

Last edit: 12/14/09

EW P/N: 182-326

Tips: Carbide inserts

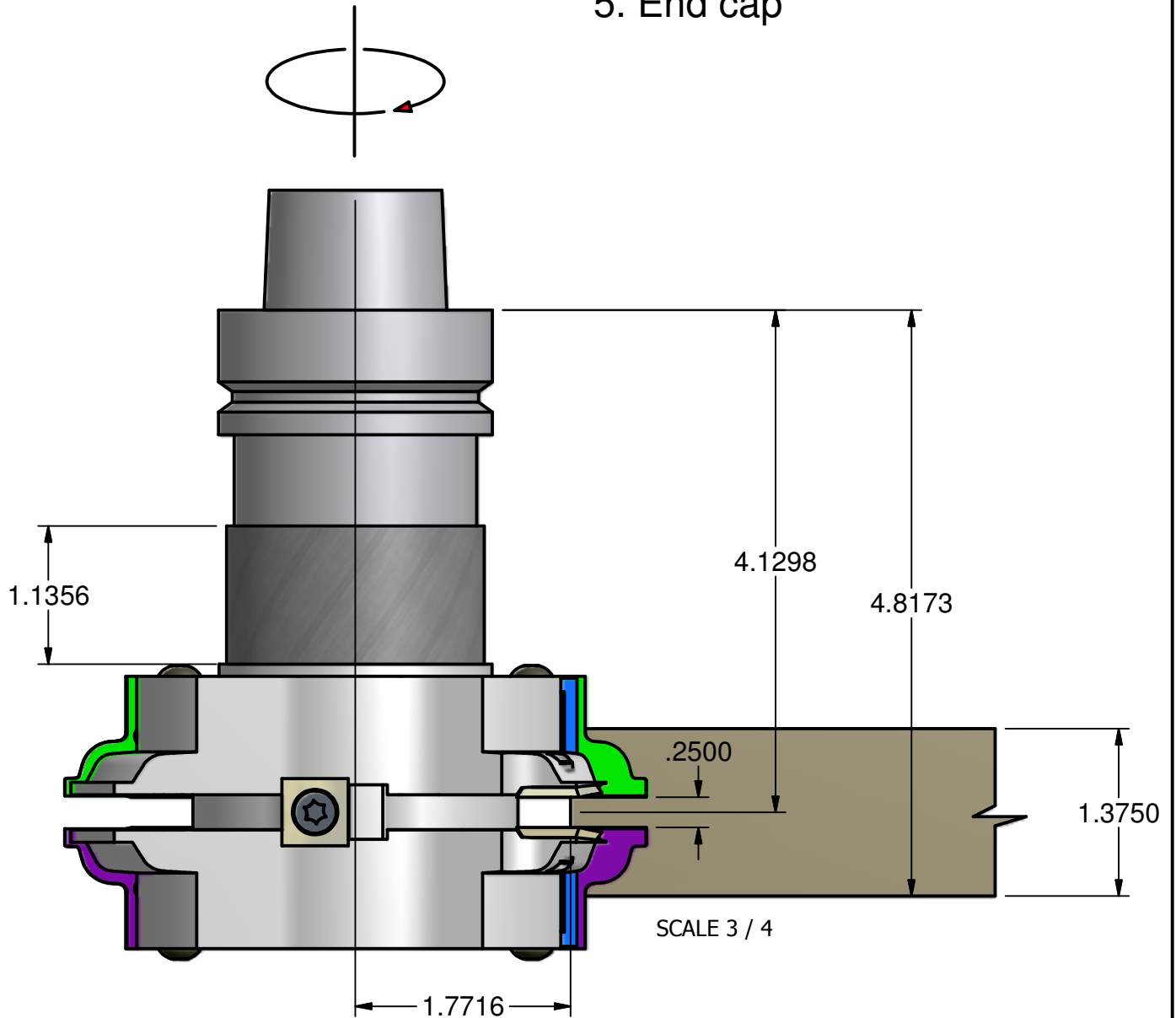
Cust P/N: Profile A 2.25" wood

GEOMETRY
2 Wing(s)
10° Hook
5° Shear

Setup for profile A 1.375" wood

1. Spacer 1.1356" thick
2. Body 335A with insert 336
3. Groover body 335B
4. Body 335D with insert 337
5. End cap

The minor diameter is 90mm



THIS DRAWING IS PROPERTY OF EW TOOLING, INC. AND MUST NOT BE USED IN ANY WAY DETRIMENTAL TO OUR INTERESTS

PARTS LIST DRAWING

E.W. TOOLING, INC.
Cutting tools for the woodworking industry

Originate: 12/09

Last edit: 12/14/09

EW P/N: 182-335

Tips: Carbide inserts

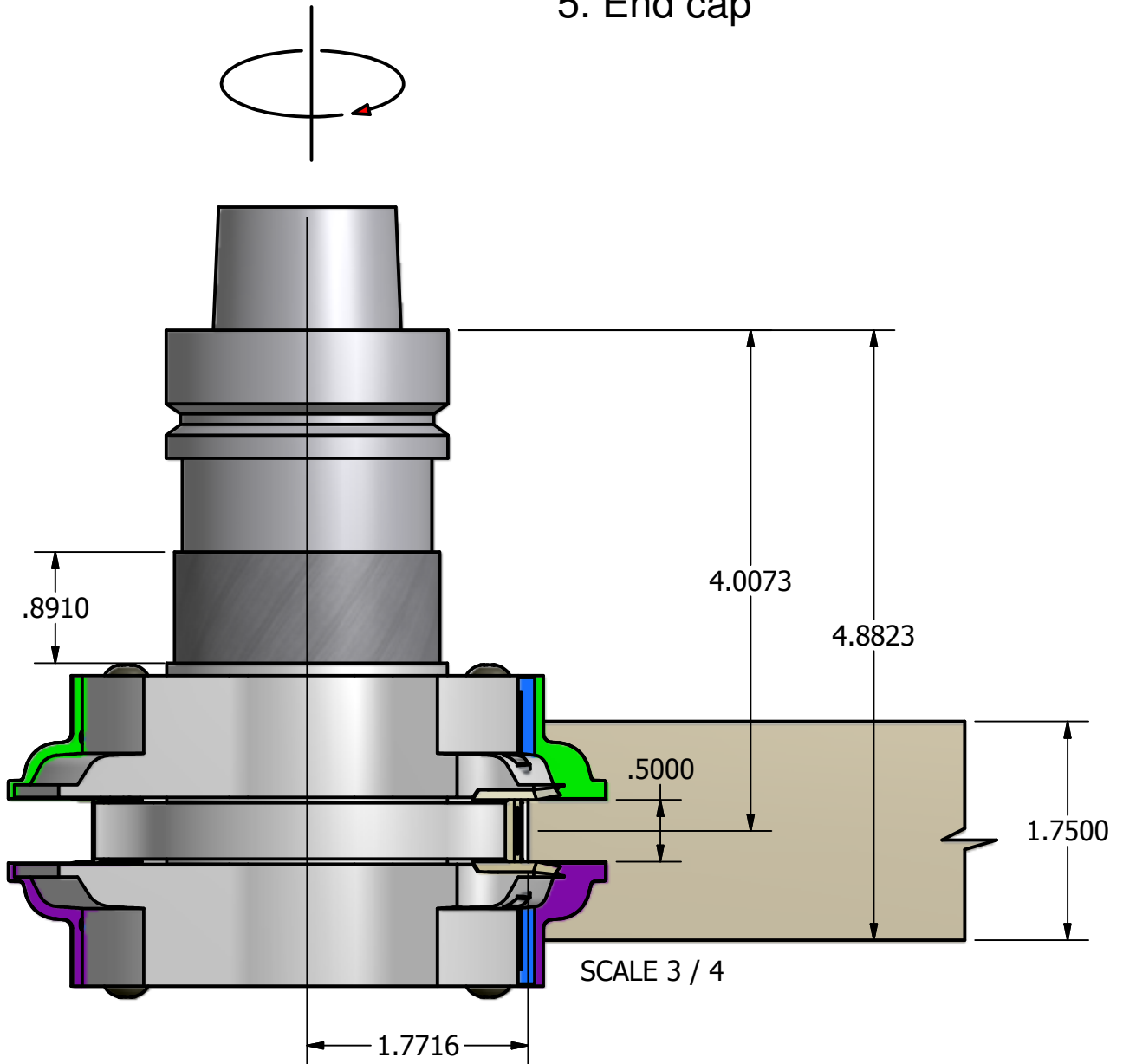
Cust P/N: Profile A 1.375" wood

GEOMETRY	
2	Wing(s)
10°	Hook
5°	Shear

Setup for profile A 1.75" wood

The minor diameter is 90mm

1. Spacer .8910" thick
2. Body 335A with insert 336
3. Groover body 335C
4. Body 335D with insert 337
5. End cap



THIS DRAWING IS PROPERTY OF EW TOOLING, INC. AND MUST NOT BE USED IN ANY WAY DETRIMENTAL TO OUR INTERESTS

PARTS LIST DRAWING

E.W. TOOLING, INC.
Cutting tools for the woodworking industry

Originate: 12/09

Last edit: 12/14/09

EW P/N: 182-335

Tips: Carbide inserts

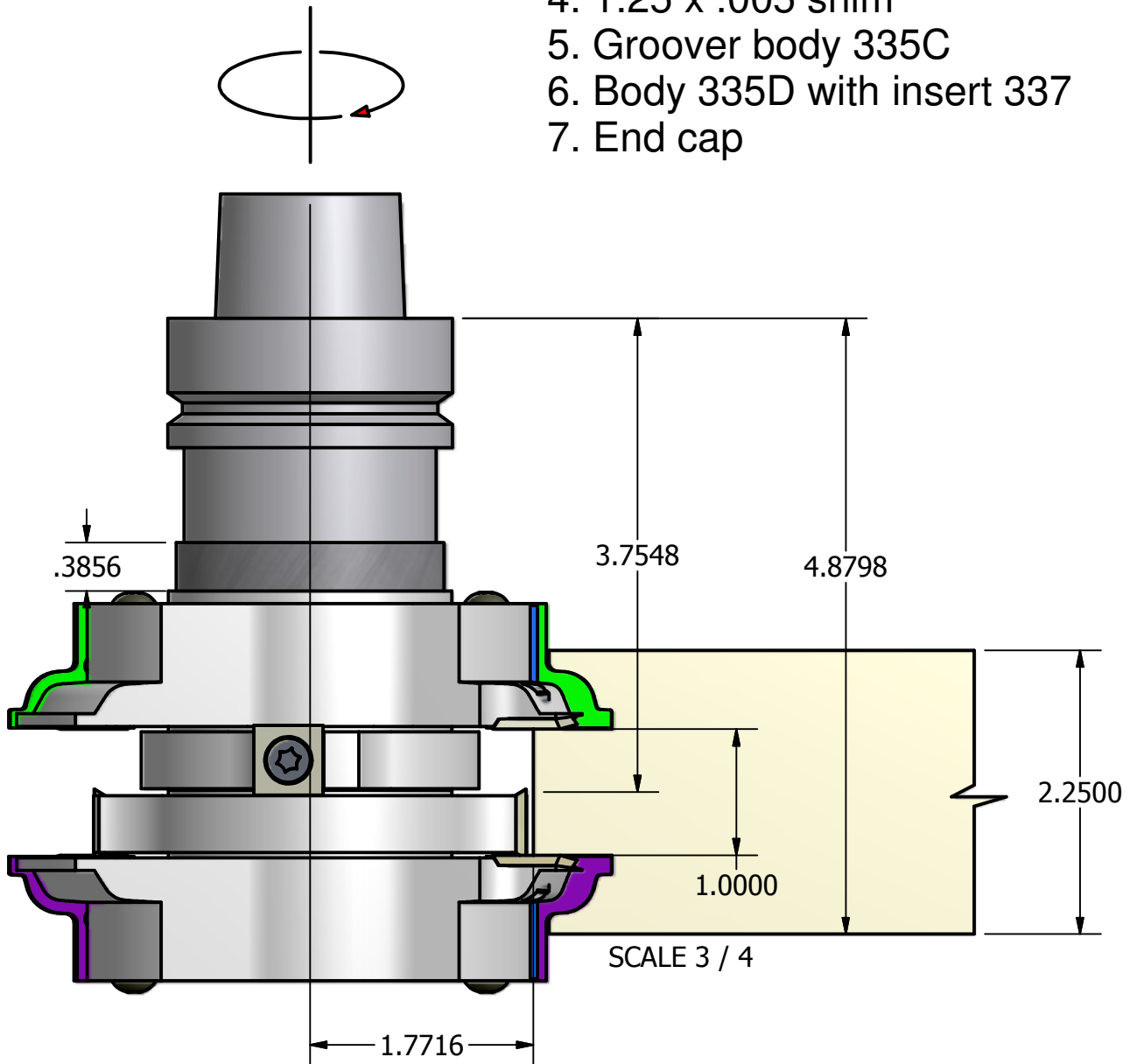
Cust P/N: Profile A 1.75" wood

GEOMETRY	
2	Wing(s)
10°	Hook
5°	Shear

Setup for profile A 2.25" wood

The minor diameter is 90mm

1. Spacer .3856" thick
2. Body 335A with insert 336
3. Groover body 335E
4. 1.25 x .005 shim
5. Groover body 335C
6. Body 335D with insert 337
7. End cap



THIS DRAWING IS PROPERTY OF EW TOOLING, INC. AND MUST NOT BE USED IN ANY WAY DETRIMENTAL TO OUR INTERESTS

PARTS LIST DRAWING

E.W. TOOLING, INC.
Cutting tools for the woodworking industry

Originate: 12/09

Last edit: 12/14/09

EW P/N: 182-335

Tips: Carbide inserts

Cust P/N: Profile A 2.25" wood