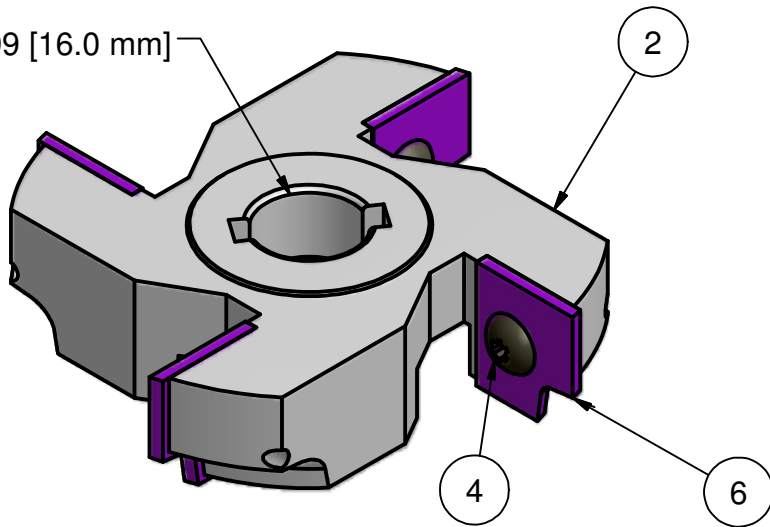


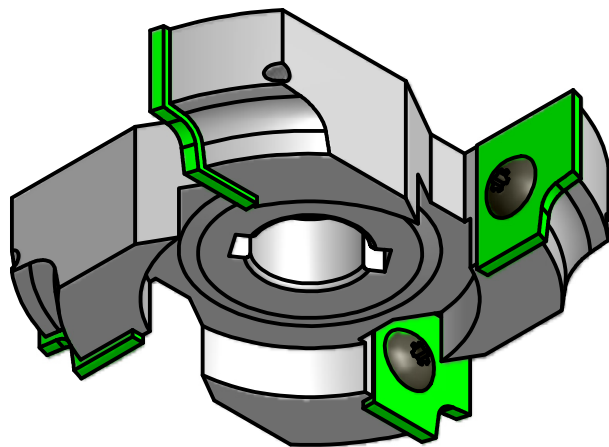
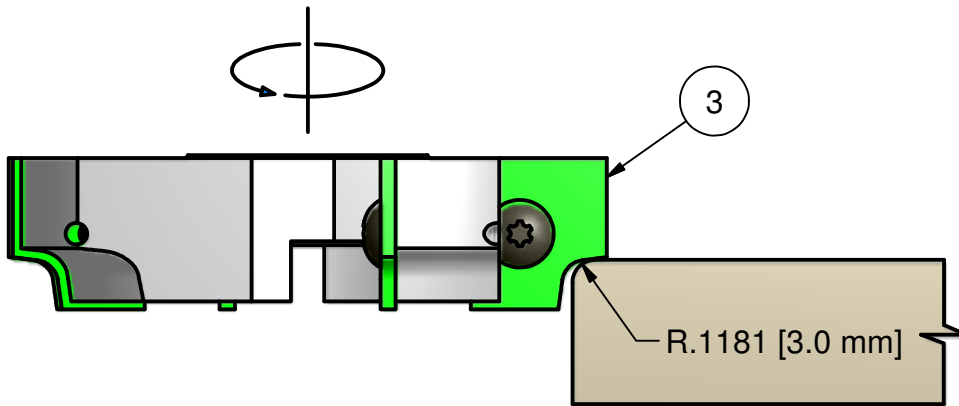
Ø.6299 [16.0 mm]



This view has the 2mm radius inserts

Parts List		
ITEM	QTY	PART NUMBER
2	1	182-385 body
3	4	182-386 R3mm insert
4	4	3.5 mm X 6mm BH
6	4	182-387 R2mm insert

Inserts need to be placed flush with the top edge of the body



GEOMETRY	
4 Wing(s)	
15° Hook	
0° Shear	
Minor Diameter	2.759"
Major Diameter	3.197"

THIS DRAWING IS PROPERTY OF EW TOOLING, INC. AND MUST NOT BE USED IN ANY WAY DETRIMENTAL TO OUR INTERESTS

182EH1

**E.W. TOOLING, Inc.**

Cutting tools for the woodworking industry

Approved by: \_\_\_\_\_

Originate: 5/4/10

Last edit: 5/7/10

EW P/N: 182-385

Tips: 20 X 20.5 X 2mm Carbide inserts

Cust P/N:

G7A] ?%\$\$\$ 9X[ YVU5XYf