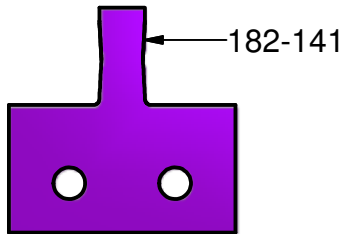
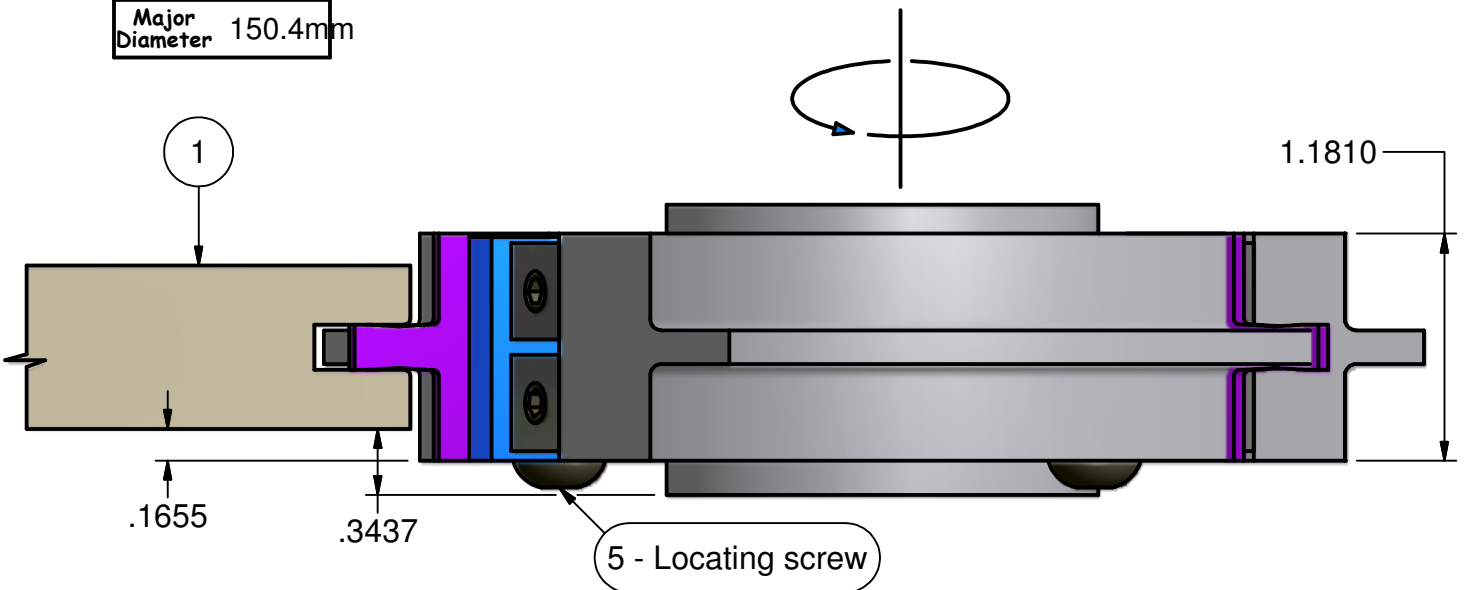
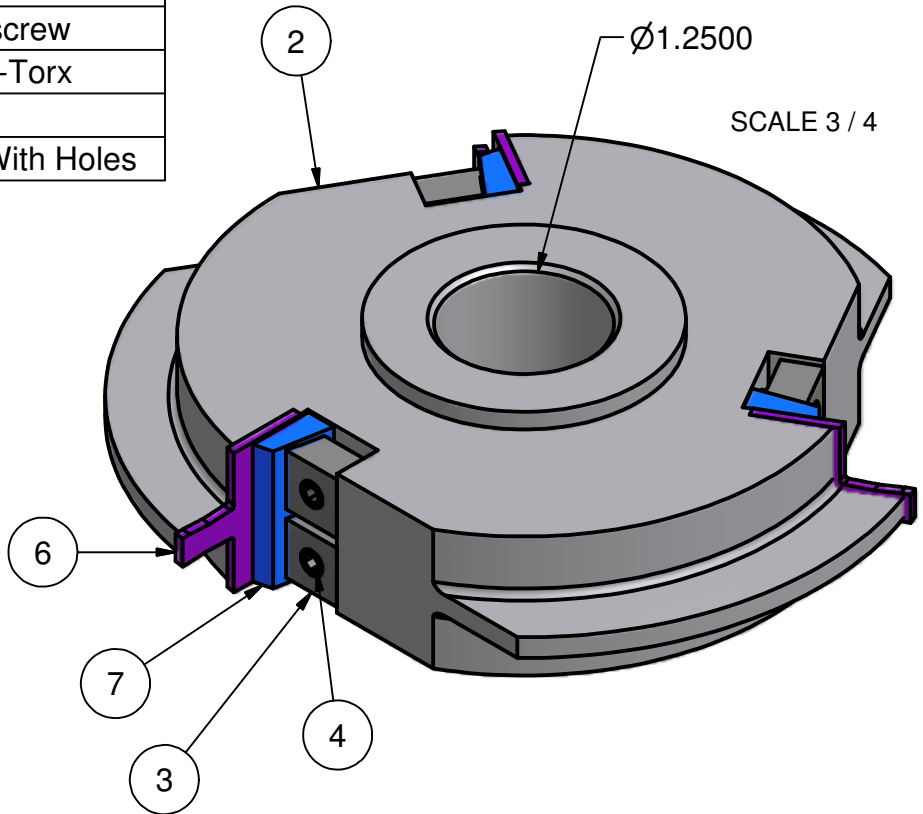


| Parts List | | |
|------------|-----|------------------------|
| ITEM | QTY | PART NUMBER |
| 1 | 1 | #2 Shaker Profile |
| 2 | 1 | 182-143 body |
| 3 | 6 | .5 std clamp |
| 4 | 6 | .250-28 clamp screw |
| 5 | 3 | 5M x 12.5M-BH-Torx |
| 6 | 3 | 182-141 insert |
| 7 | 3 | 30x15 Wedge With Holes |



| GEOMETRY | |
|----------------|-----------|
| | 3 Wing(s) |
| | 10° Hook |
| | 0° Shear |
| Minor Diameter | 125mm |
| Major Diameter | 150.4mm |



THIS DRAWING IS PROPERTY OF EW TOOLING, INC. AND MUST NOT BE USED IN ANY WAY DETRIMENTAL TO OUR INTERESTS

182

E.W. TOOLING, Inc.
Cutting tools for the woodworking industry

Approved by: _____

Originate: 2/2/09

Last edit: 2/2/09

EW P/N: 182-143 body Tips: 30 x 30.5 x 2mm Carbide Inserts

Cust P/N: #3 Shaker profile - dedicated head