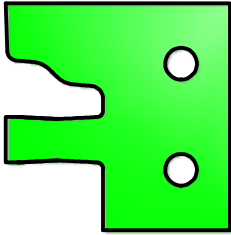
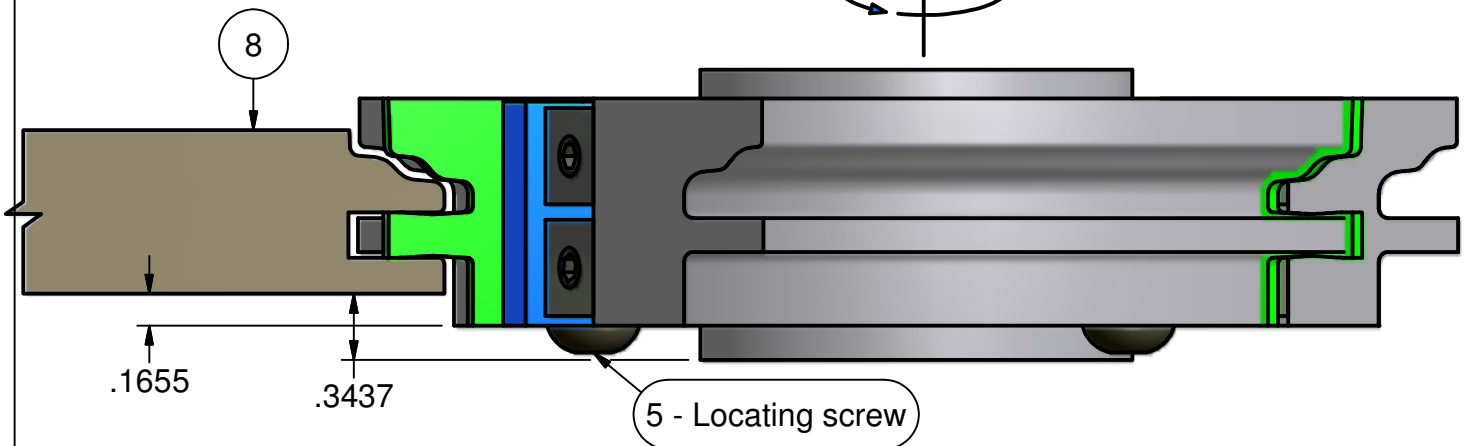
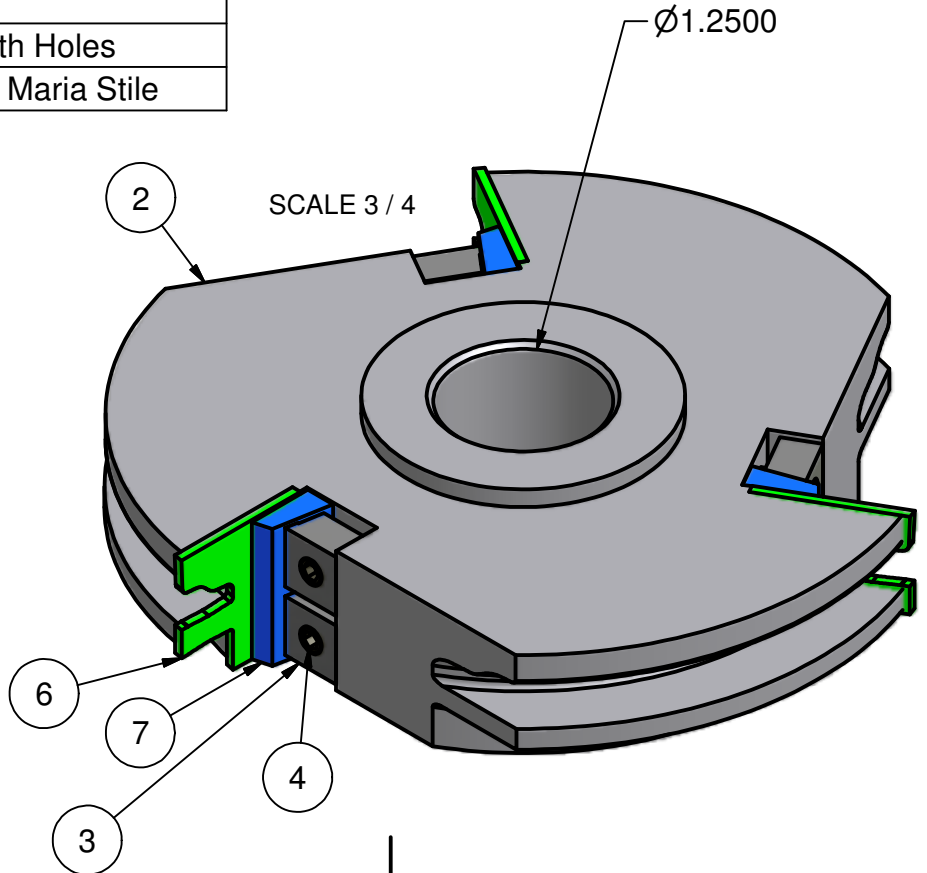


Parts List

ITEM	QTY	PART NUMBER
2	1	182-153 body
3	6	.5 std clamp
4	6	.250-28 clamp screw
5	3	5Mx12.5M-BH-Torx
6	3	182-154 insert
7	3	30x15 Wedge With Holes
8	1	#5 profile - Santa Maria Stile



GEOMETRY	
	3 Wing(s)
	10° Hook
	0° Shear
Minor Diameter	125mm
Major Diameter	150.4mm



THIS DRAWING IS PROPERTY OF EW TOOLING, INC. AND MUST NOT BE USED IN ANY WAY DETRIMENTAL TO OUR INTERESTS

182

**E.W. TOOLING, Inc.**  
Cutting tools for the woodworking industry

Approved by: \_\_\_\_\_

Originate: 2/2/09

Last edit: 2/2/09

EW P/N: 182-153 body Tips: 30 x 30.5 x 2mm Carbide Inserts

Cust P/N: #5 Santa Maria profile - dedicated head