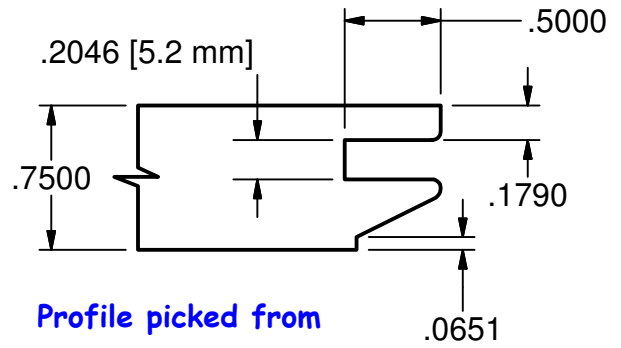
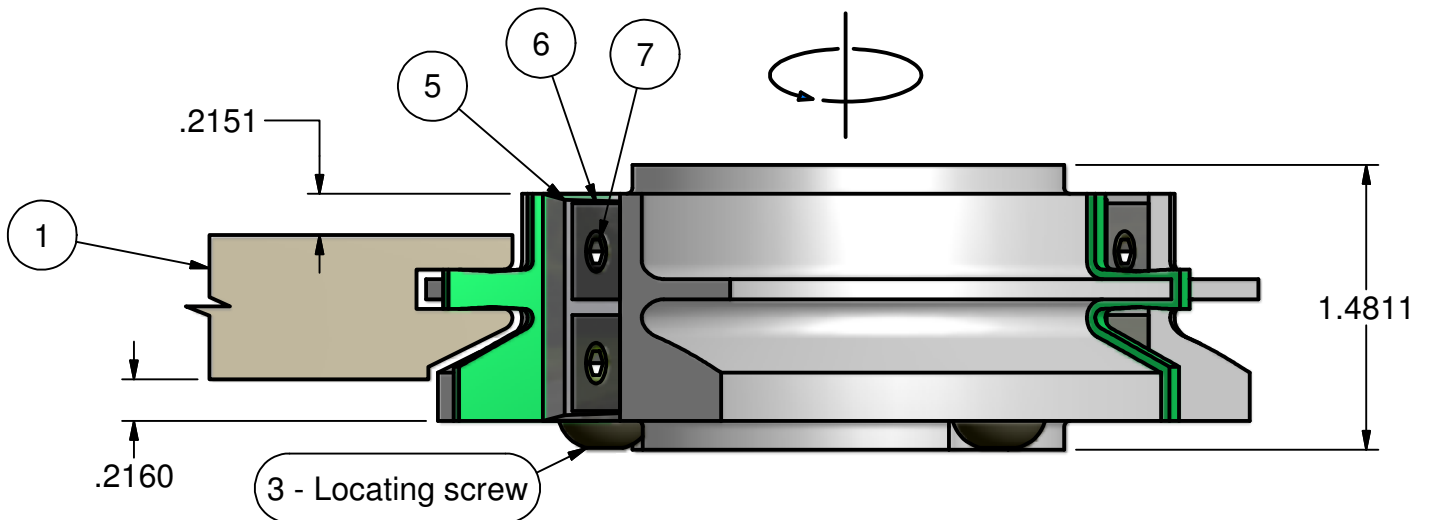
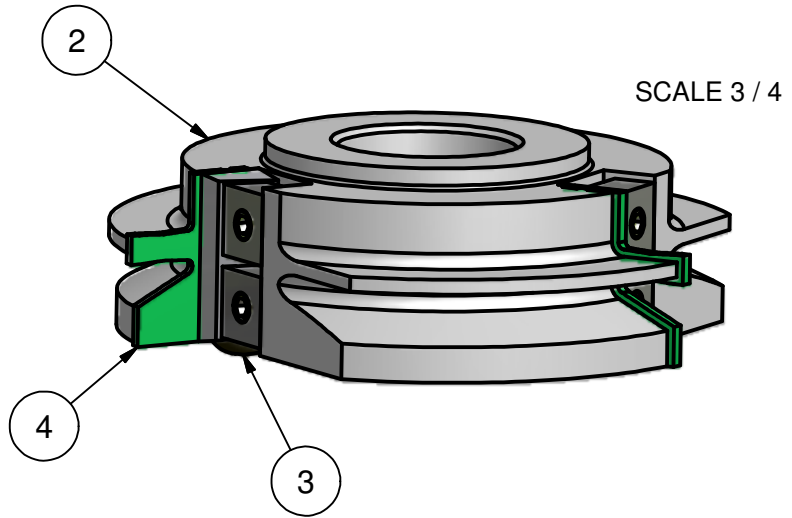


Parts List		
ITEM	QTY	PART NUMBER
1	1	Puget Sound stile(6-4-09)
2	1	182-282 body
3	3	5Mx12.5M-BH-Torx
4	3	182-283 insert
5	3	30x12 wedge
6	6	.5 std clamp
7	6	.250-28 clamp screw



Profile picked from wood sample supplied by customer

GEOMETRY	
	3 Wing(s)
	10° Hook
	0° Shear
Minor Diameter	3.500"
Major Diameter	4.500"



THIS DRAWING IS PROPERTY OF EW TOOLING, INC. AND MUST NOT BE USED IN ANY WAY DETRIMENTAL TO OUR INTERESTS

182

**E.W. TOOLING, Inc.**  
 Cutting tools for the woodworking industry

Approved by: \_\_\_\_\_

Originate: 6/4/09

Last edit: 6/4/09

EW P/N: 182-282

Tips: 30 x 25.5 x 2mm Carbide inserts

Cust P/N: Custom profile