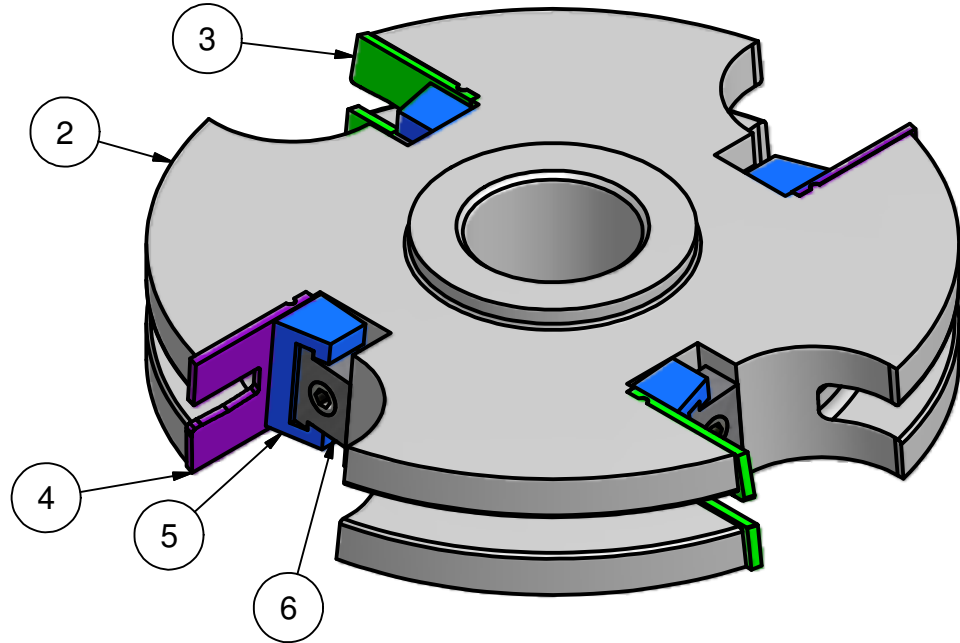
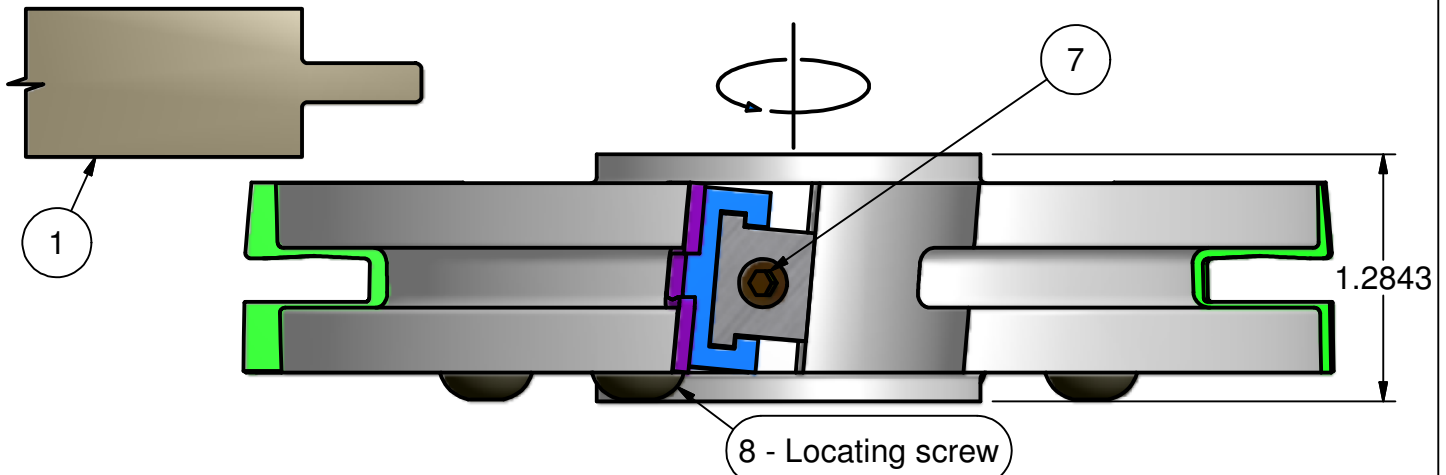
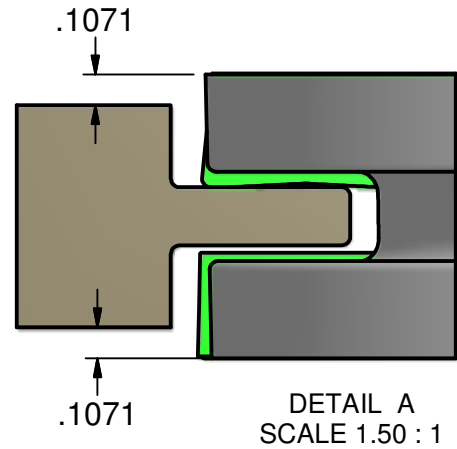


GEOMETRY	
2+2 Wing(s)	
20° Hook	
Alt. 5° Shear	
Minor Diameter	4.5"
Major Diameter	5.750"



Parts List		
ITEM	QTY	PART NUMBER
1	1	Shaker Cope
2	1	182-271 body
3	2	182-272 Shaker cope upshear insert
4	2	182-273 Shaker cope downshear insert
5	4	Test wedge
6	4	Test clamp
7	4	5/16-18 clamp screw
8	4	5Mx12.5M-BH-Torx



THIS DRAWING IS PROPERTY OF EW TOOLING, INC. AND MUST NOT BE USED IN ANY WAY DETRIMENTAL TO OUR INTERESTS

182  
**E.W. TOOLING, Inc.**  
 Cutting tools for the woodworking industry

Approved by: \_\_\_\_\_  
 Originate: 5/15/09 Last edit:  
 EW P/N: 182-271 Head Tips: 25 x 30.5 x 3mm Carbide insert  
 Cust P/N: Shaker cope profile