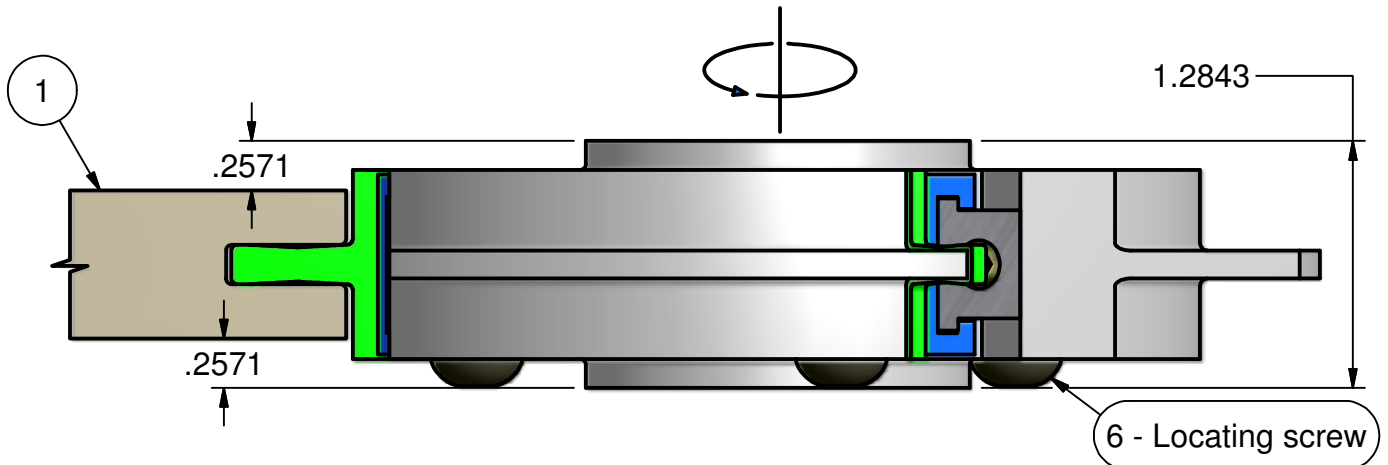


GEOMETRY	
	3 Wing(s)
	10° Hook
	0° Shear
Minor Diameter	4.5"
Major Diameter	5.750"

Parts List		
ITEM	QTY	PART NUMBER
1	1	Shaker Stick
2	1	182-269 body
3	3	Test clamp
4	3	5/16-18 clamp screw
5	3	Test wedge
6	3	5Mx12.5M-BH-Torx
7	3	182-269 Shaker stick 2mm insert



THIS DRAWING IS PROPERTY OF EW TOOLING, INC. AND MUST NOT BE USED IN ANY WAY DETRIMENTAL TO OUR INTERESTS

182-268
E.W. TOOLING, Inc.
 Cutting tools for the woodworking industry

Approved by: _____
 Originate: 5/15/09
 EW P/N: 182-268 Head
 Shaker profile
 Last edit: 25 x 30.5 x 3mm Carbide insert
 Cust P/N: