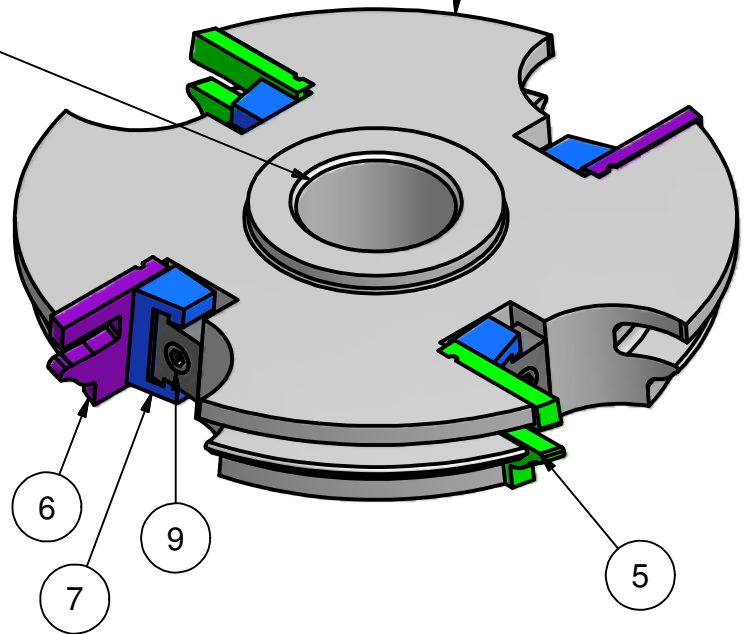
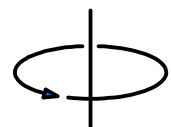


GEOMETRY	
2+2 Wing(s)	
20° Hook	
Alt. 5° Shear	
Minor Diameter	4.5"
Major Diameter	5.750"

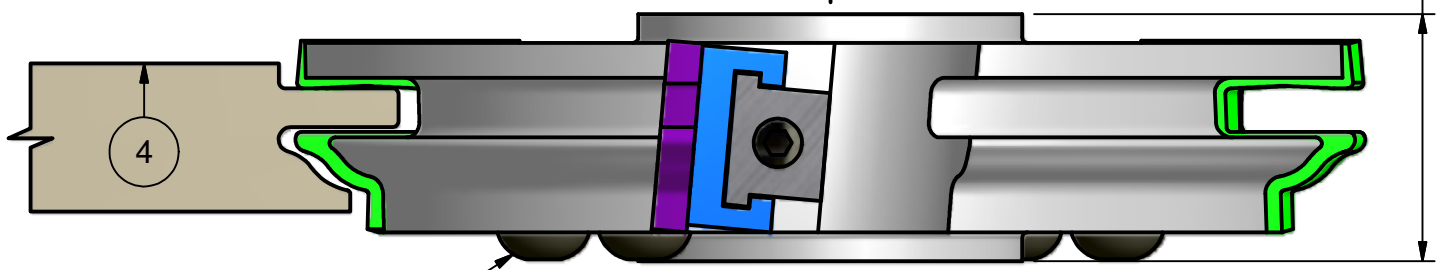
Ø1.2500



Parts List		
ITEM	QTY	PART NUMBER
2	1	182-263 Universal cope body
3	1	Bead cope
4	1	Ogee cope
5	2	182-264 Ogee up insert
6	2	182-265 Ogee down insert
7	4	Test wedge
8	4	Test clamp
9	4	5/16-18 clamp screw
10	4	5Mx12.5M-BH-Torx
11	2	182-266 Bead up insert
12	2	182-267 Bead down insert



1.2843



10 - Locating screw

THIS DRAWING IS PROPERTY OF EW TOOLING, INC. AND MUST NOT BE USED IN ANY WAY DETRIMENTAL TO OUR INTERESTS

182

E.W. TOOLING, Inc.

Cutting tools for the woodworking industry

Approved by: _____

Originate: 5/15/09 Last edit: _____

EW P/N: 182-263 Head Tips: 25 x 30.5 x 3mm Carbide insert

Cust P/N: Ogee and Bead profiles in this order