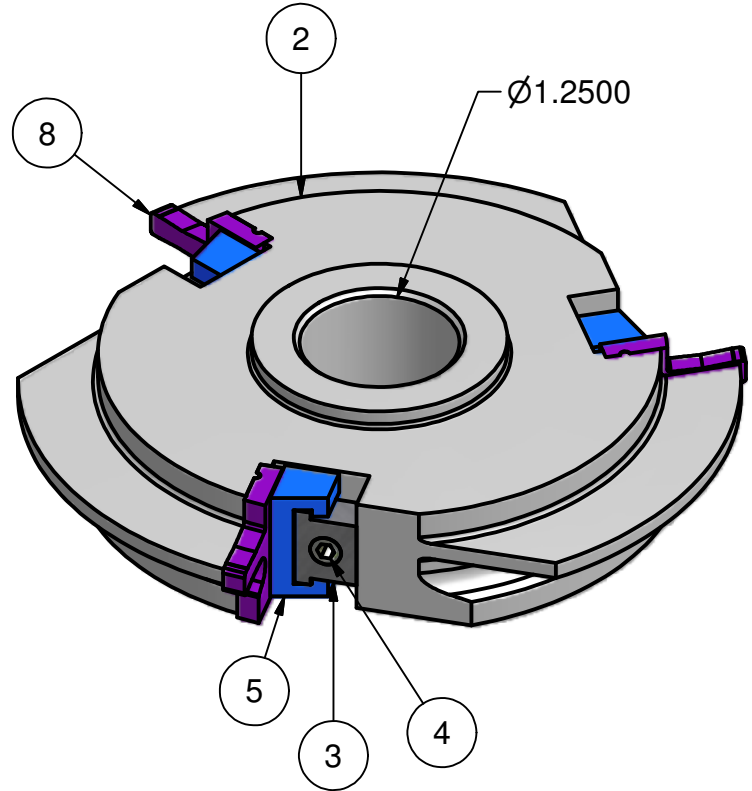
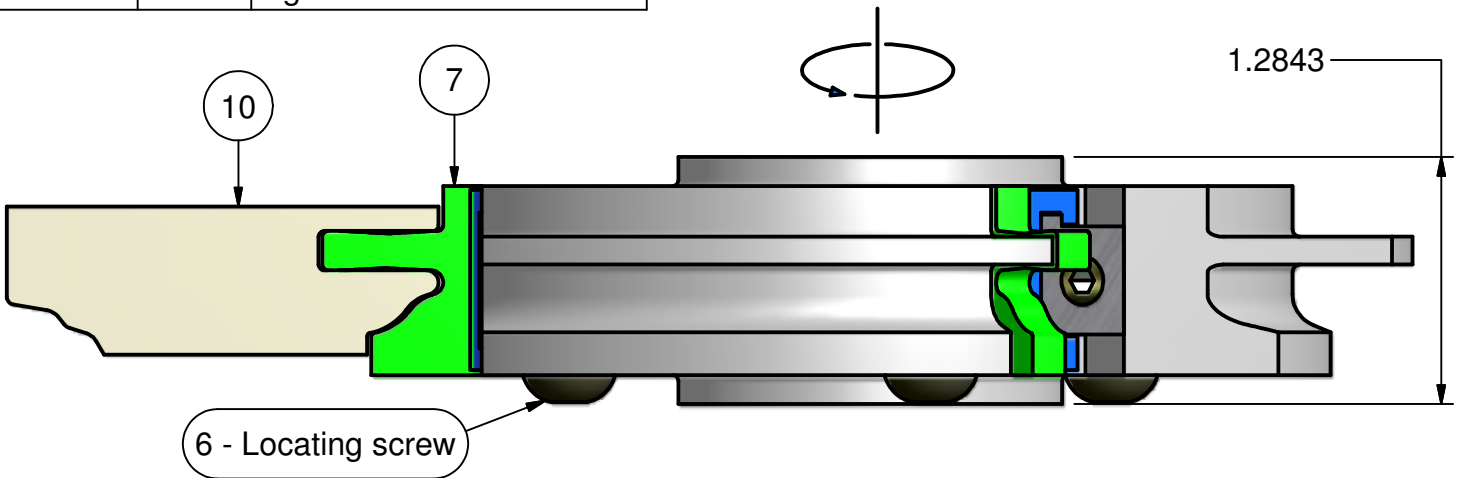


| GEOMETRY       |        |
|----------------|--------|
| 3 Wing(s)      |        |
| 10° Hook       |        |
| 0° Shear       |        |
| Minor Diameter | 4.5"   |
| Major Diameter | 5.750" |



| Parts List |     |                           |
|------------|-----|---------------------------|
| ITEM       | QTY | PART NUMBER               |
| 2          | 1   | 182-260 Univ. stick body  |
| 3          | 3   | Test clamp                |
| 4          | 3   | 5/16 - 18 clamp screw     |
| 5          | 3   | Test wedge                |
| 6          | 3   | 5Mx12.5M-BH-Torx          |
| 7          | 3   | 182-261 Ogee stick insert |
| 8          | 3   | 182-262 Bead stick insert |
| 9          | 1   | Bead stick                |
| 10         | 1   | Ogee stick                |



THIS DRAWING IS PROPERTY OF EW TOOLING, INC. AND MUST NOT BE USED IN ANY WAY DETRIMENTAL TO OUR INTERESTS

182

**E.W. TOOLING, INC.**  
Cutting tools for the woodworking industry

Approved by: \_\_\_\_\_

Originate: 5/15/09

Last edit:

EW P/N: 182-260

Tips: 25 x 30.5 x 3mm Carbide insert

Cust P/N: Ogee and Bead profiles in this order