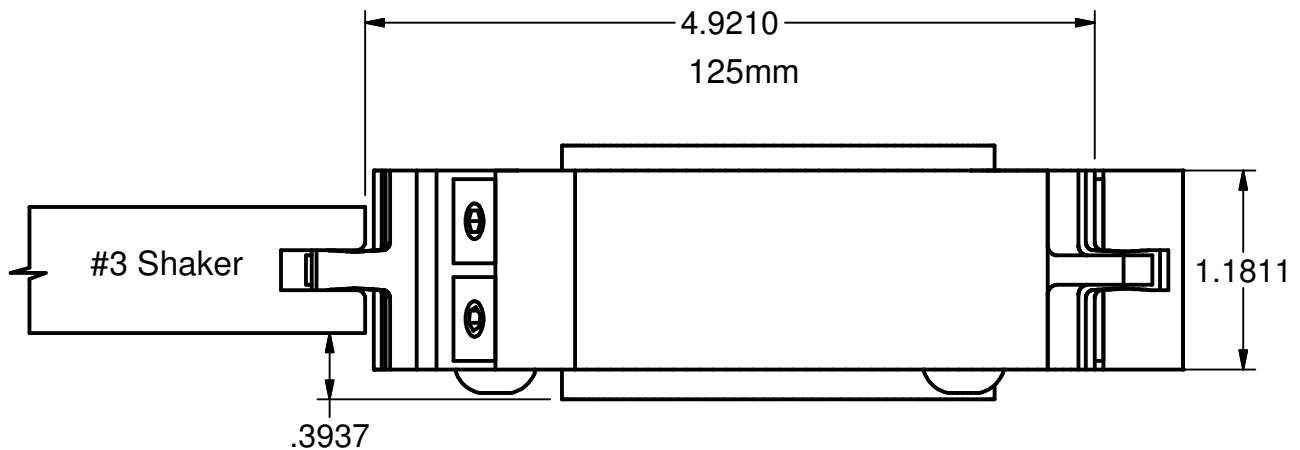


GEOMETRY	
3	Wing(s)
10°	Hook
0°	Shear



THIS DRAWING IS PROPERTY OF EW TOOLING, INC. AND MUST NOT BE USED IN ANY WAY DETRIMENTAL TO OUR INTERESTS

182 Hall/Harmonic

E.W. TOOLING, Inc.

Cutting tools for the woodworking industry

Approved by: _____

Originate: 1-27-09

Last edit:

EW P/N: 182-141

Tips:

Cust P/N: