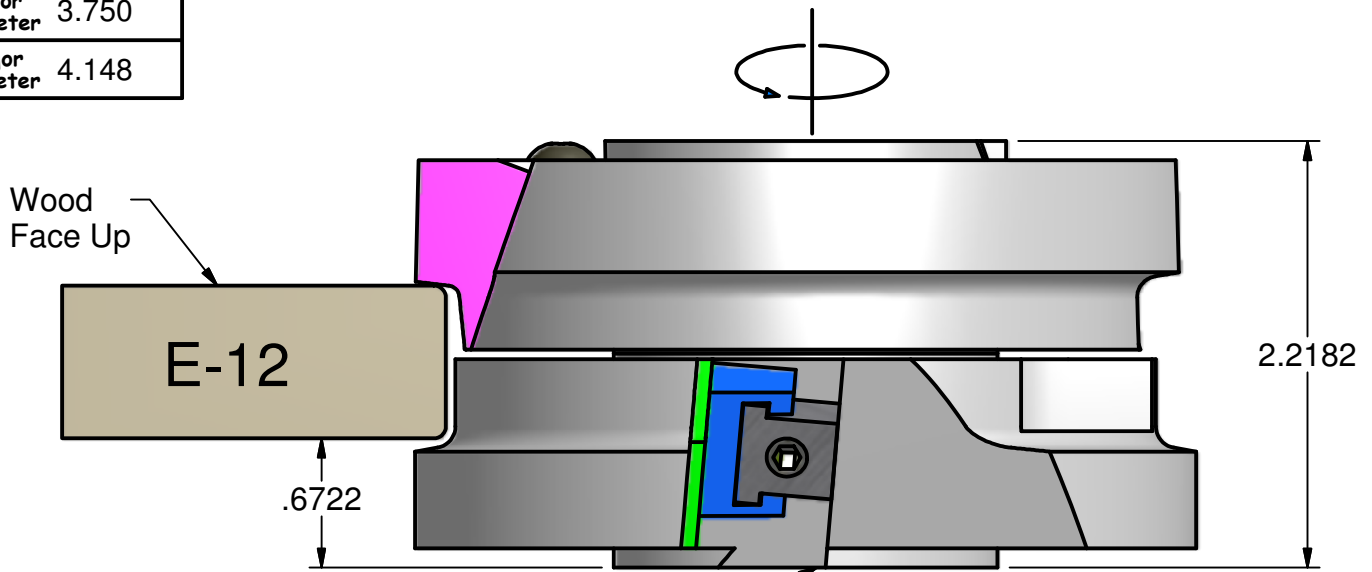


| GEOMETRY | |
|----------------|-------|
| 2+2 Wing(s) | |
| 15° Hook | |
| 5° Shear | |
| Minor Diameter | 3.750 |
| Major Diameter | 4.148 |



Uses 1/8" Spacer under cutter instead of 1/2"

THIS DRAWING IS PROPERTY OF EW TOOLING, INC. AND MUST NOT BE USED IN ANY WAY DETRIMENTAL TO OUR INTERESTS

E.W. TOOLING, Inc.
Cutting tools for the woodworking industry

Approved by: _____

Originate:

Last edit:

EW P/N: 8-16-10

Tips:

10-27-10

Cust P/N: 182-408,411

E-12, E-13